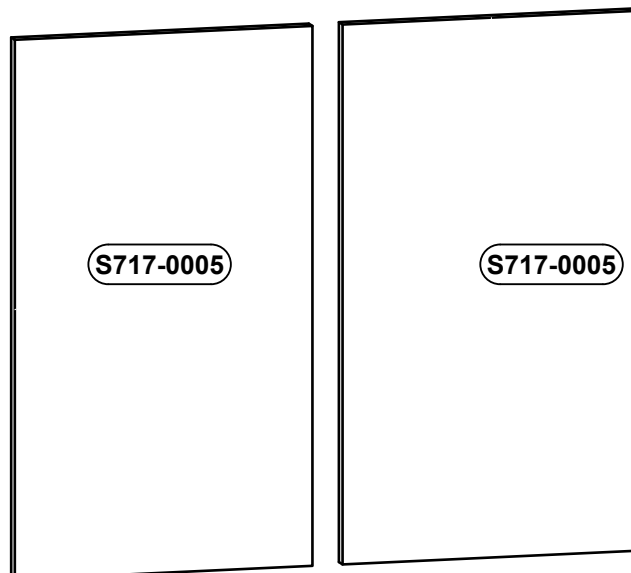
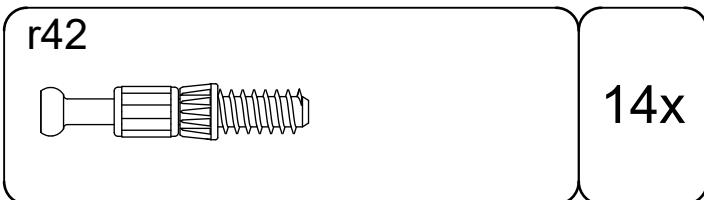
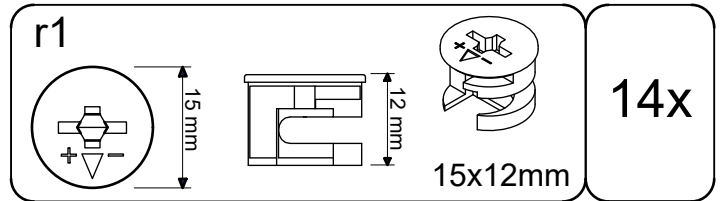
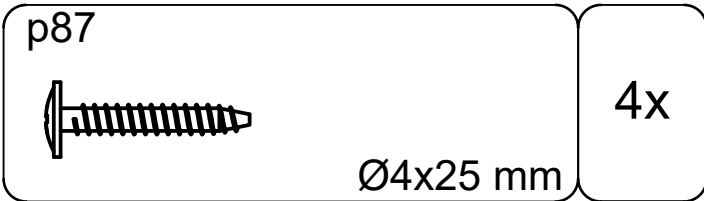
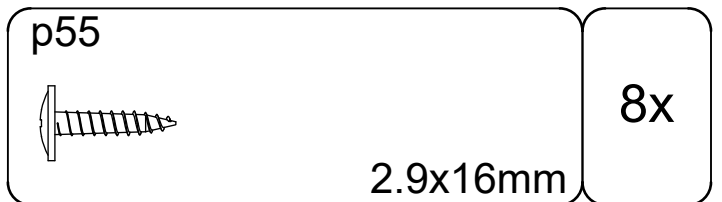
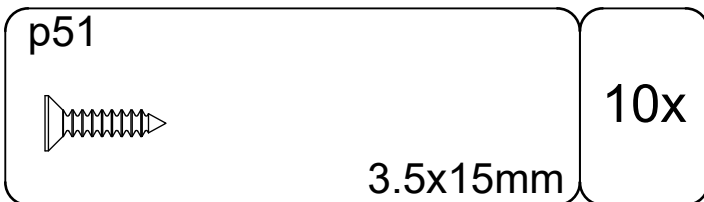
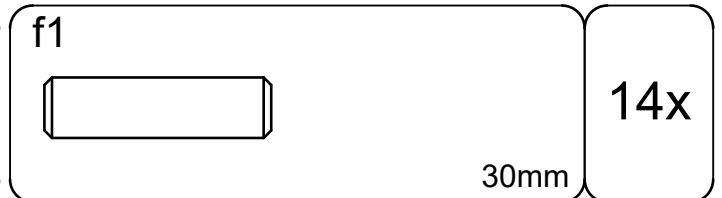
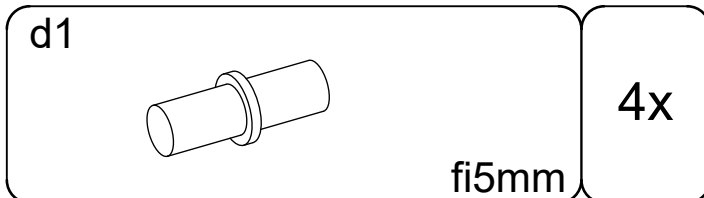
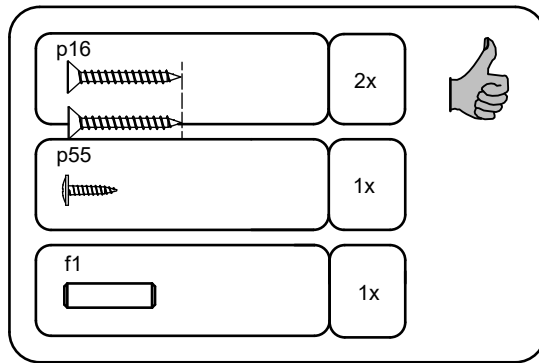
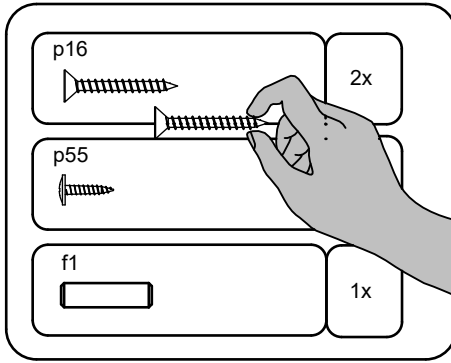


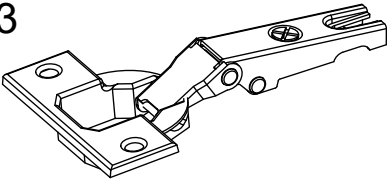
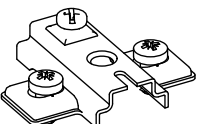
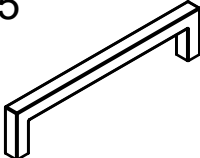
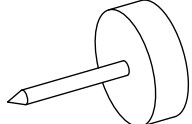
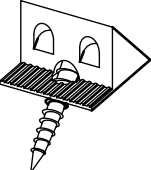
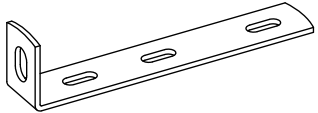
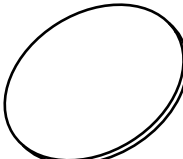
B1	B2	C1	C2	C3	C4	D
S717-0005	-.1	580	326	15	2	1/1
S717-1005	-.2	1850	235	15	1	1/1
S717-1006	-.2	1850	235	15	1	1/1
S717-3009	-.2	631	235	15	1	1/1
S717-3010	-.2	631	215	15	1	1/1
S717-3011	-.3	630	210	15	1	1/1
S717-3017	-.2	631	235	15	1	1/1
S717-4005	-.2	631	70	15	1	1/1
S717-9302	-.1	574	641	2,5	1	1/1

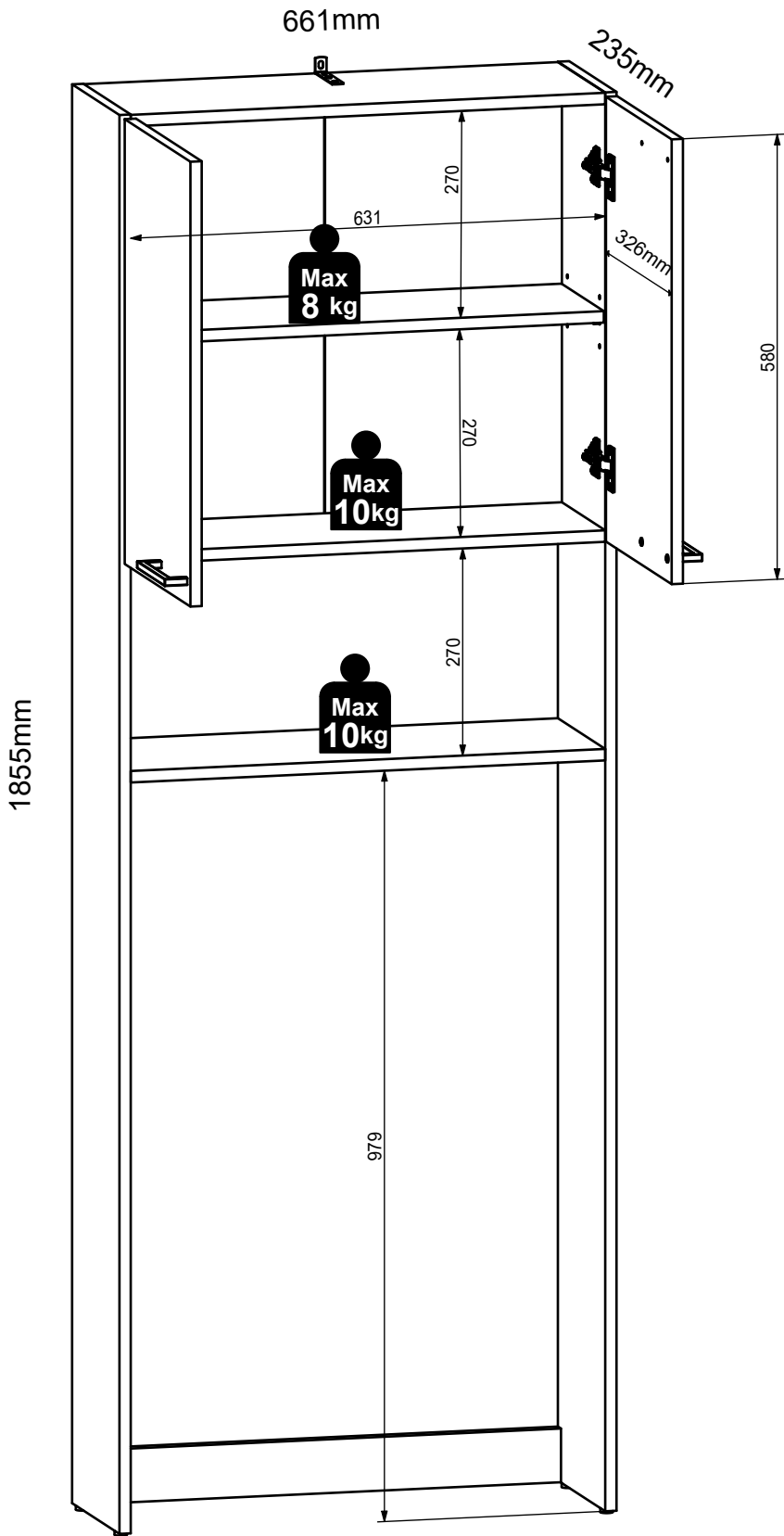


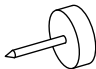
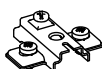


1:1

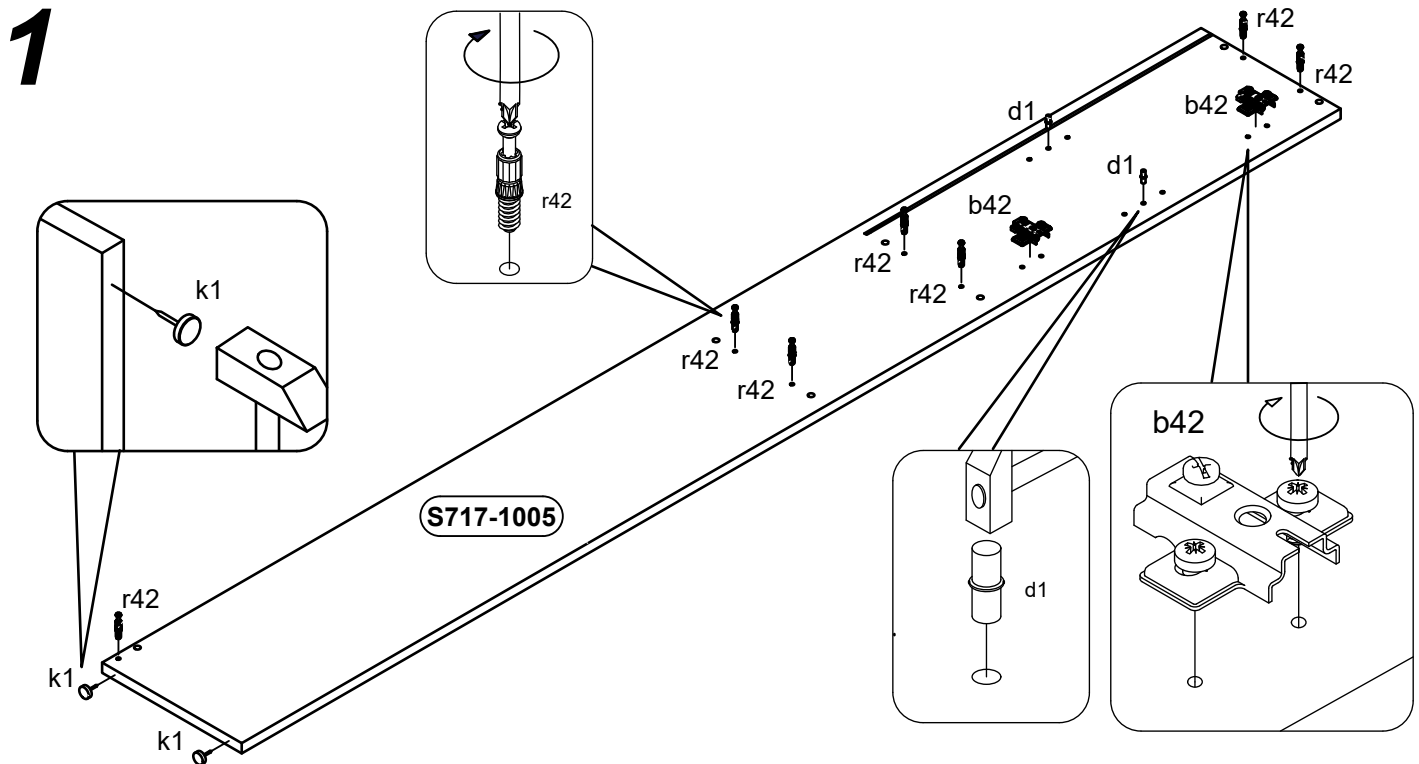



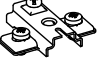
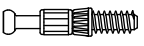

~~1:1~~

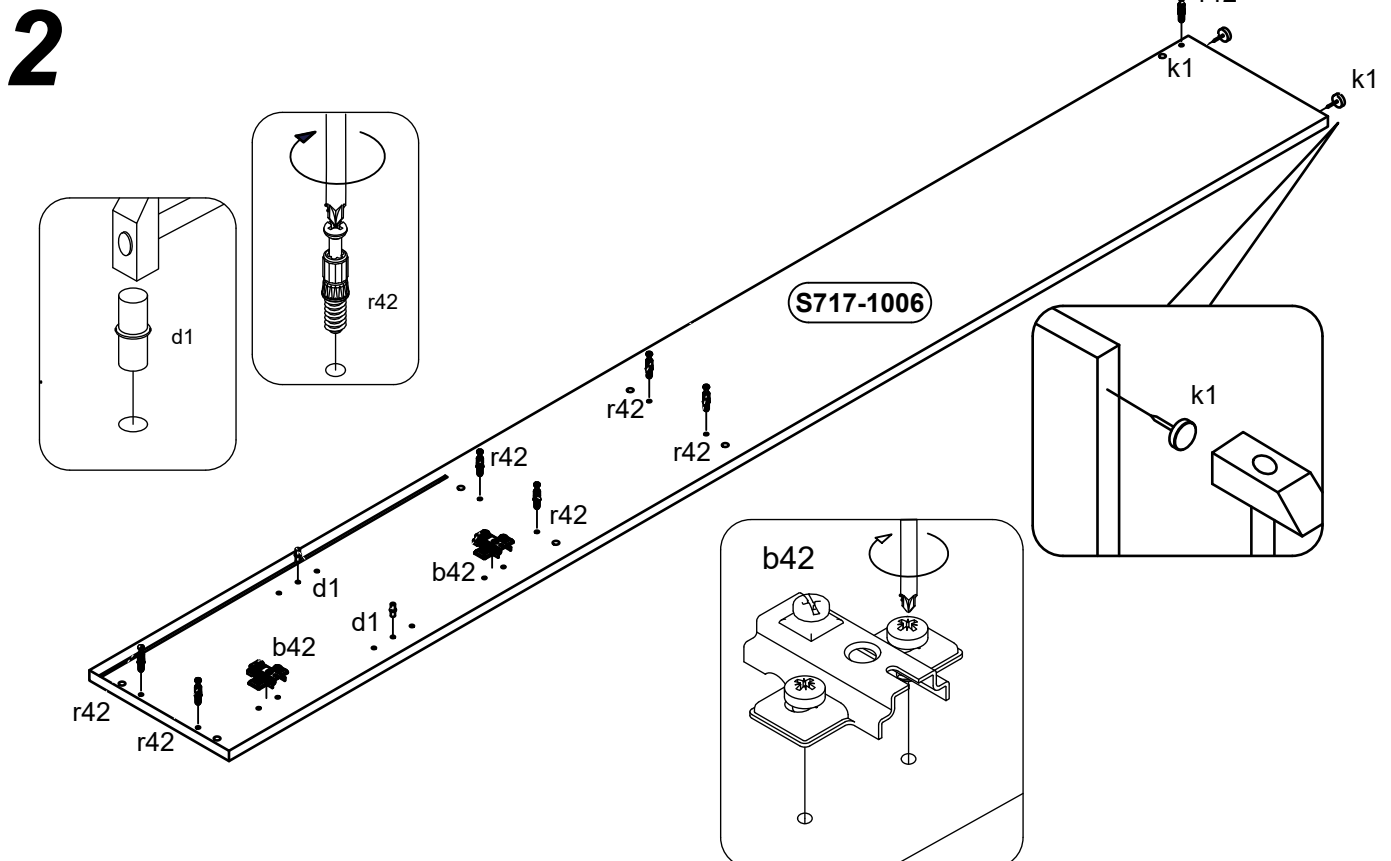
a83 	4x	b42 	4x
c405  otw.128mm	2x	k1 	4x
l2 	6x	n14\2 	1x
s68  Ø20mm	12x		



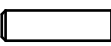


k1	2x	b42	2x	r42	7x	d1	2x
							fi5mm

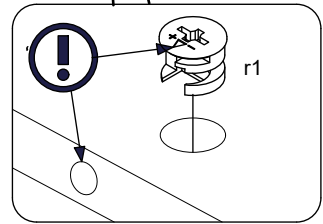
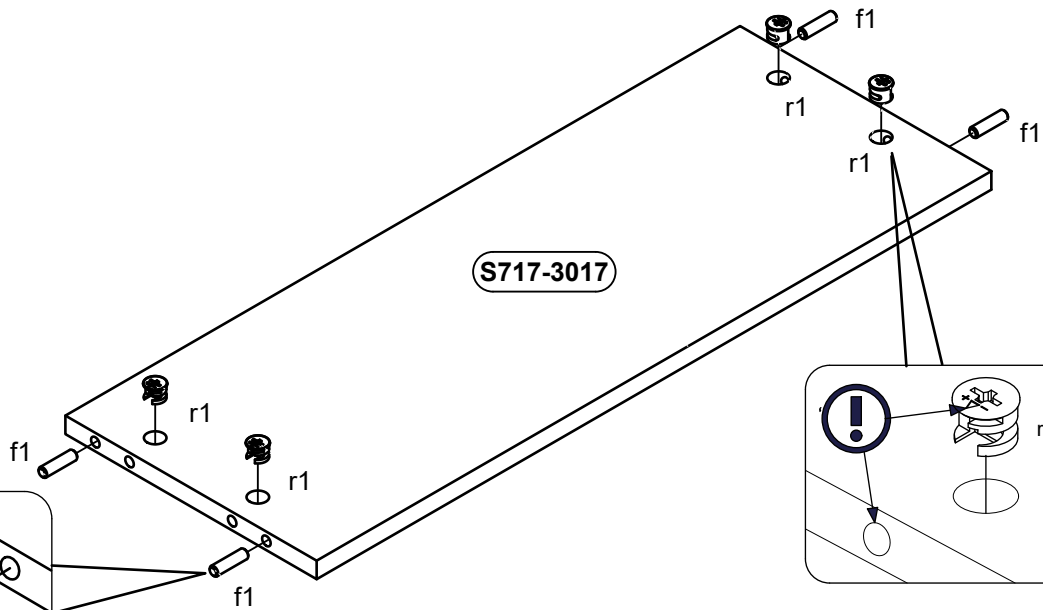
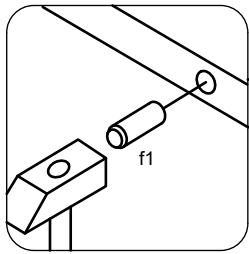
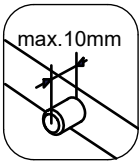




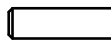
k1	2x	b42	2x	r42	7x	d1	2x
							fi5mm



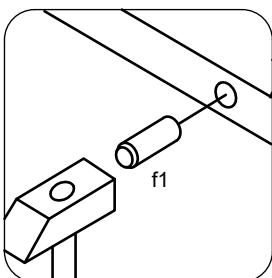
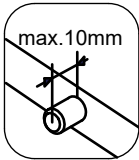
r1			15x12mm	4x	f1		30mm	4x
----	---	---	---------	----	----	---	------	----

3

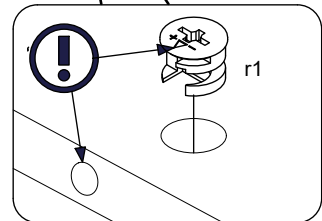
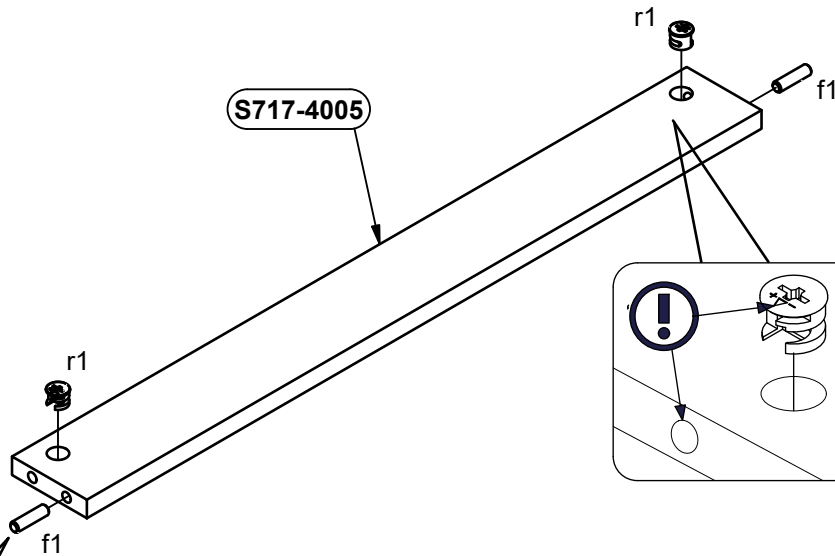


r1			15x12mm	2x	f1		30mm	2x
----	---	---	---------	----	----	---	------	----



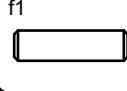
4

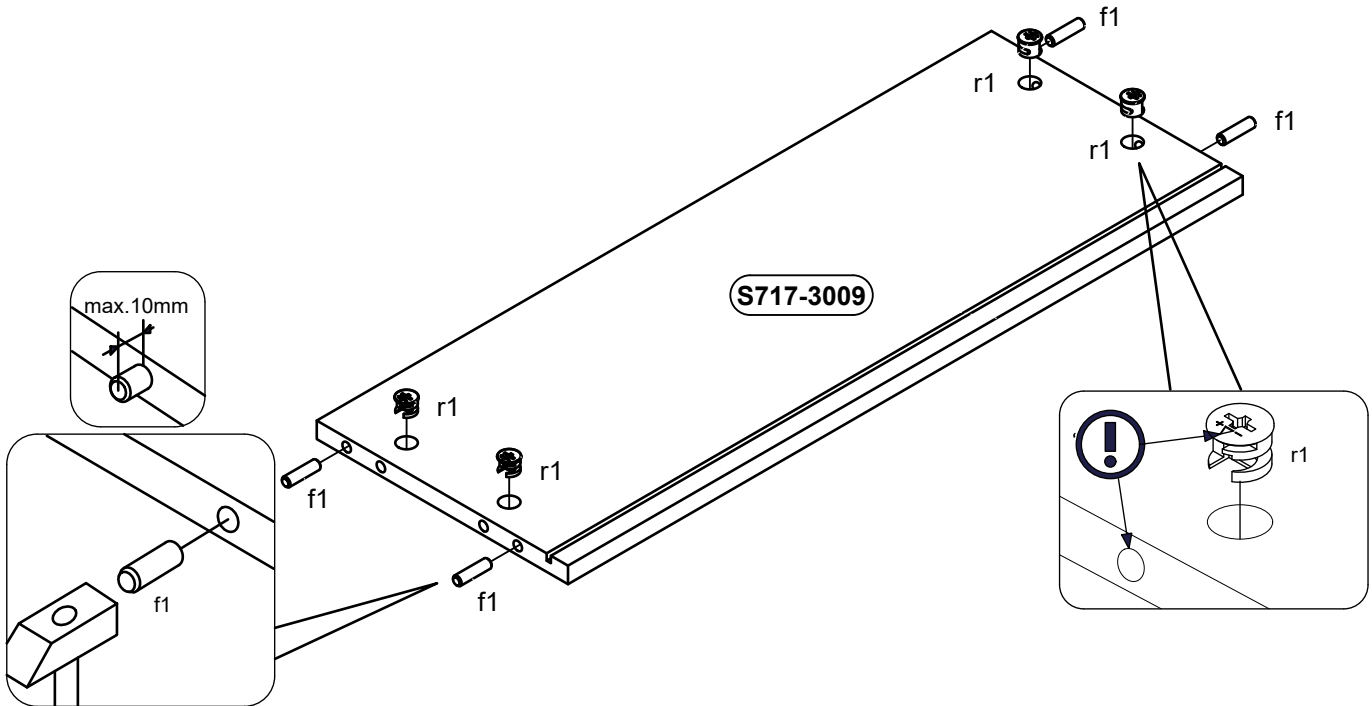


S717-4005



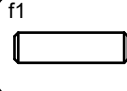


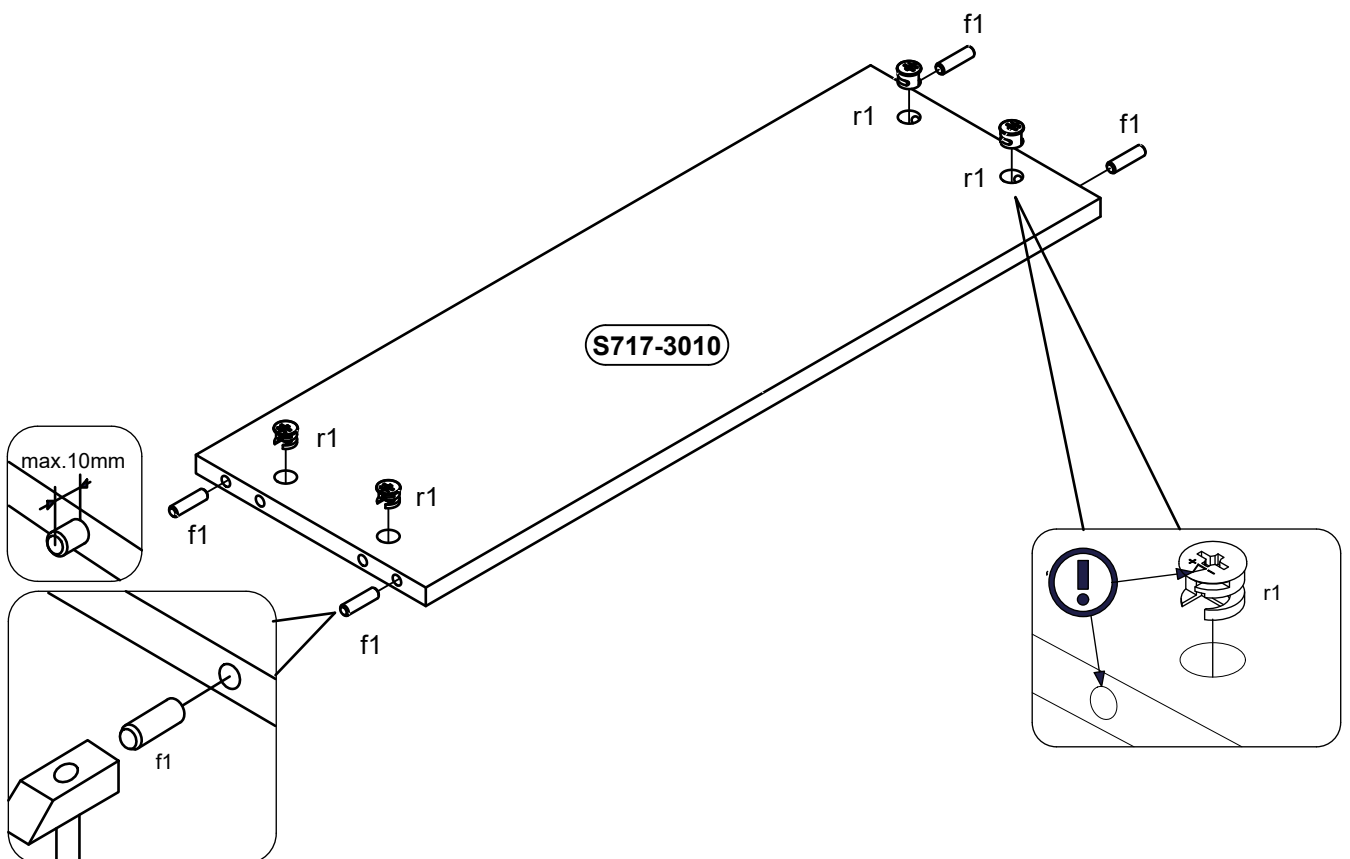
5

 r1	 15x12mm	4x	 f1	30mm	4x
--	---	----	--	------	----

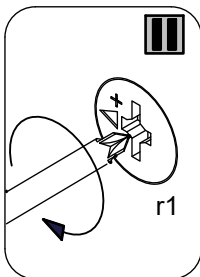
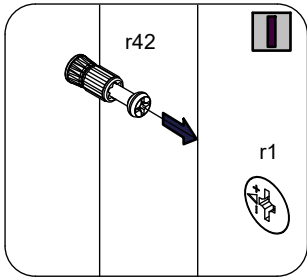
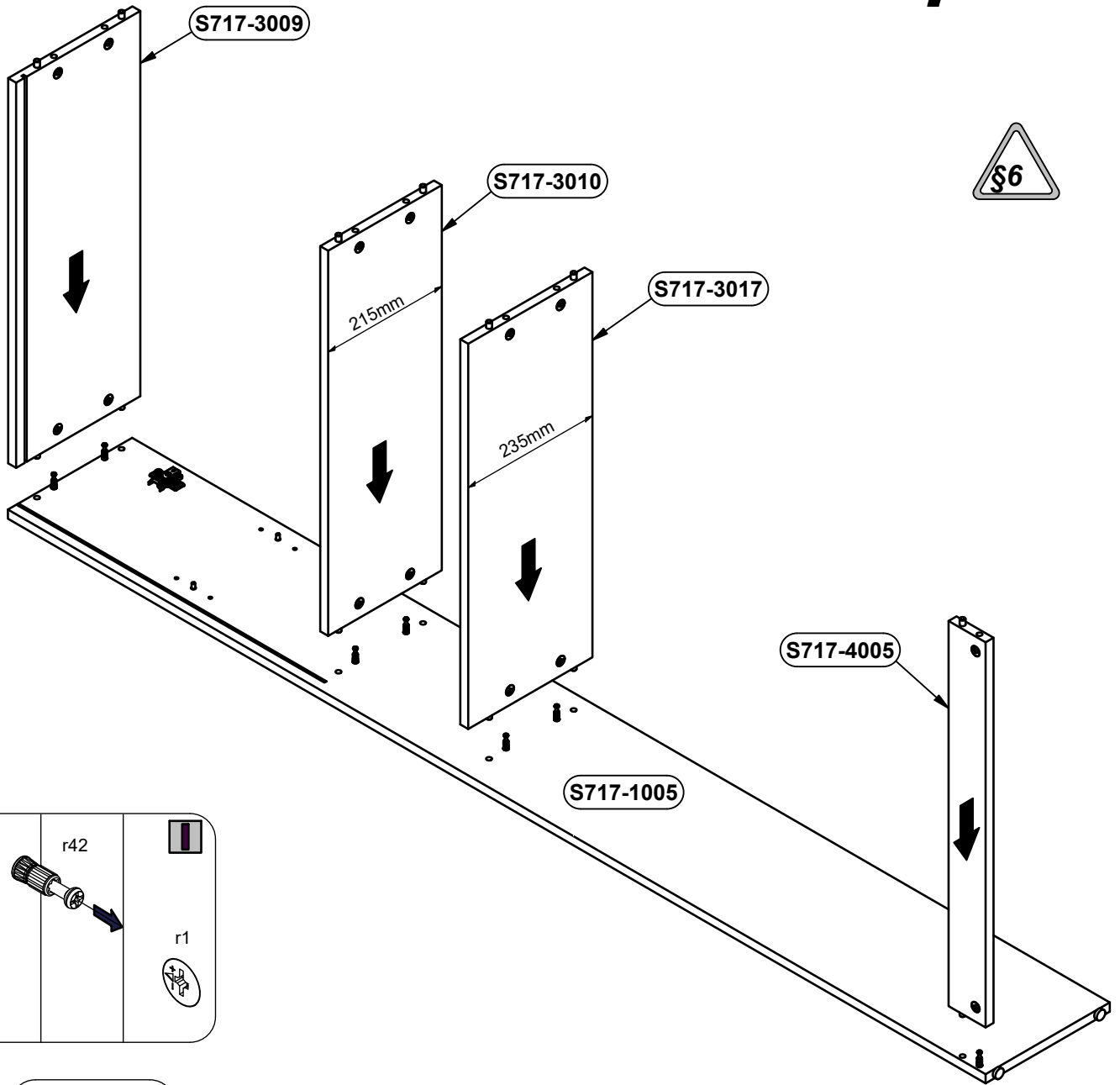


6

 r1	 15x12mm	4x	 f1	30mm	4x
--	---	----	--	------	----



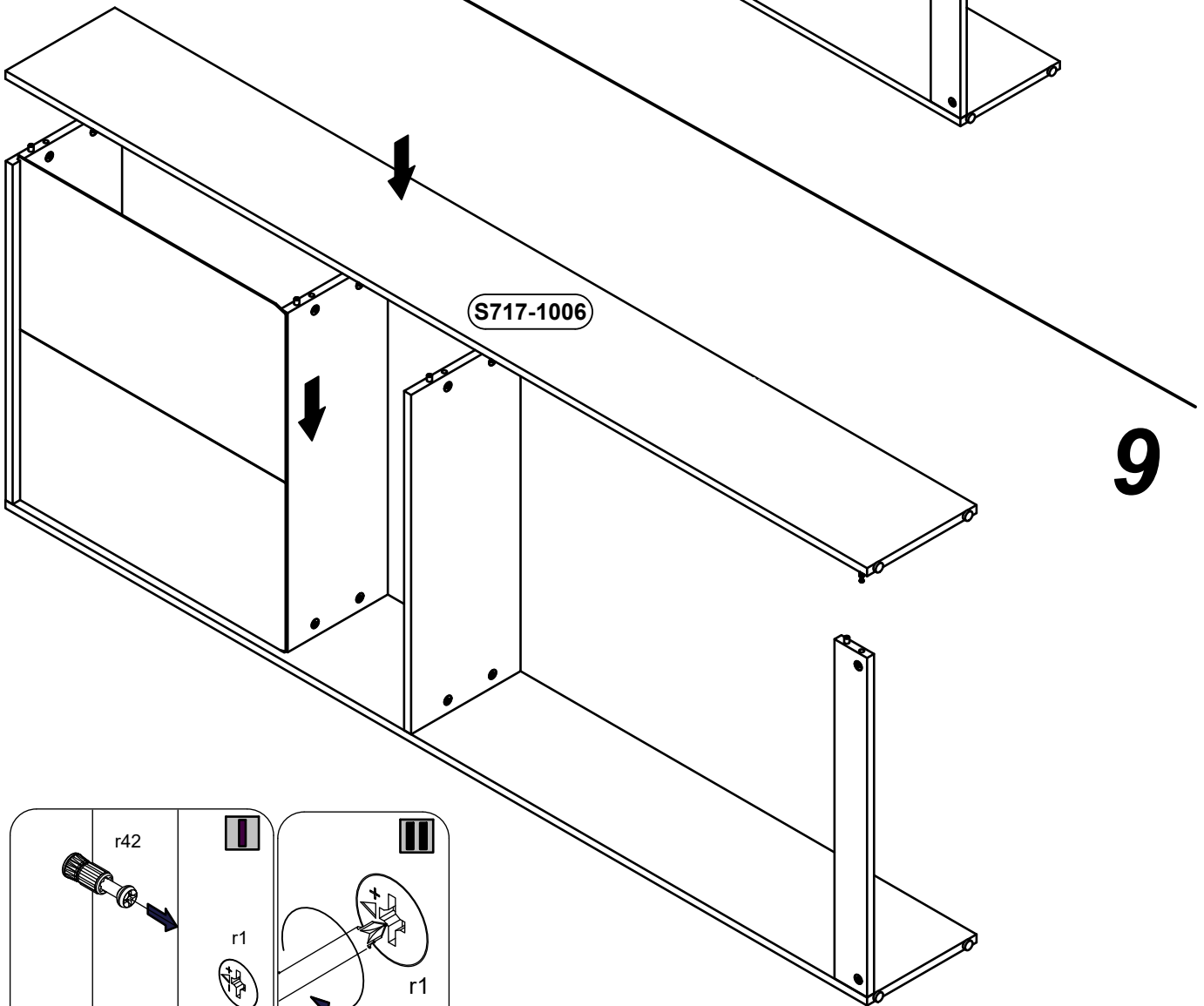
7



8

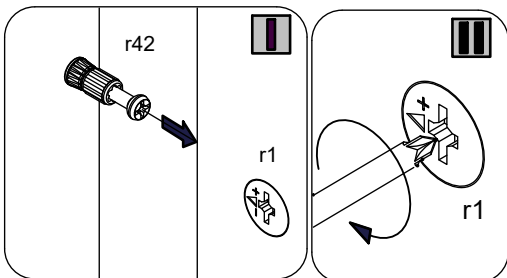


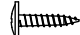

S717-9302



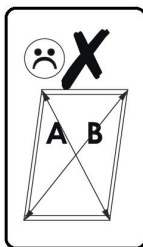
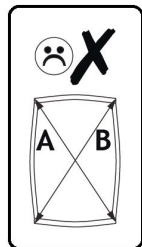
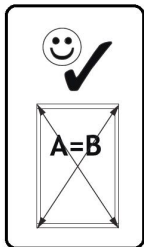
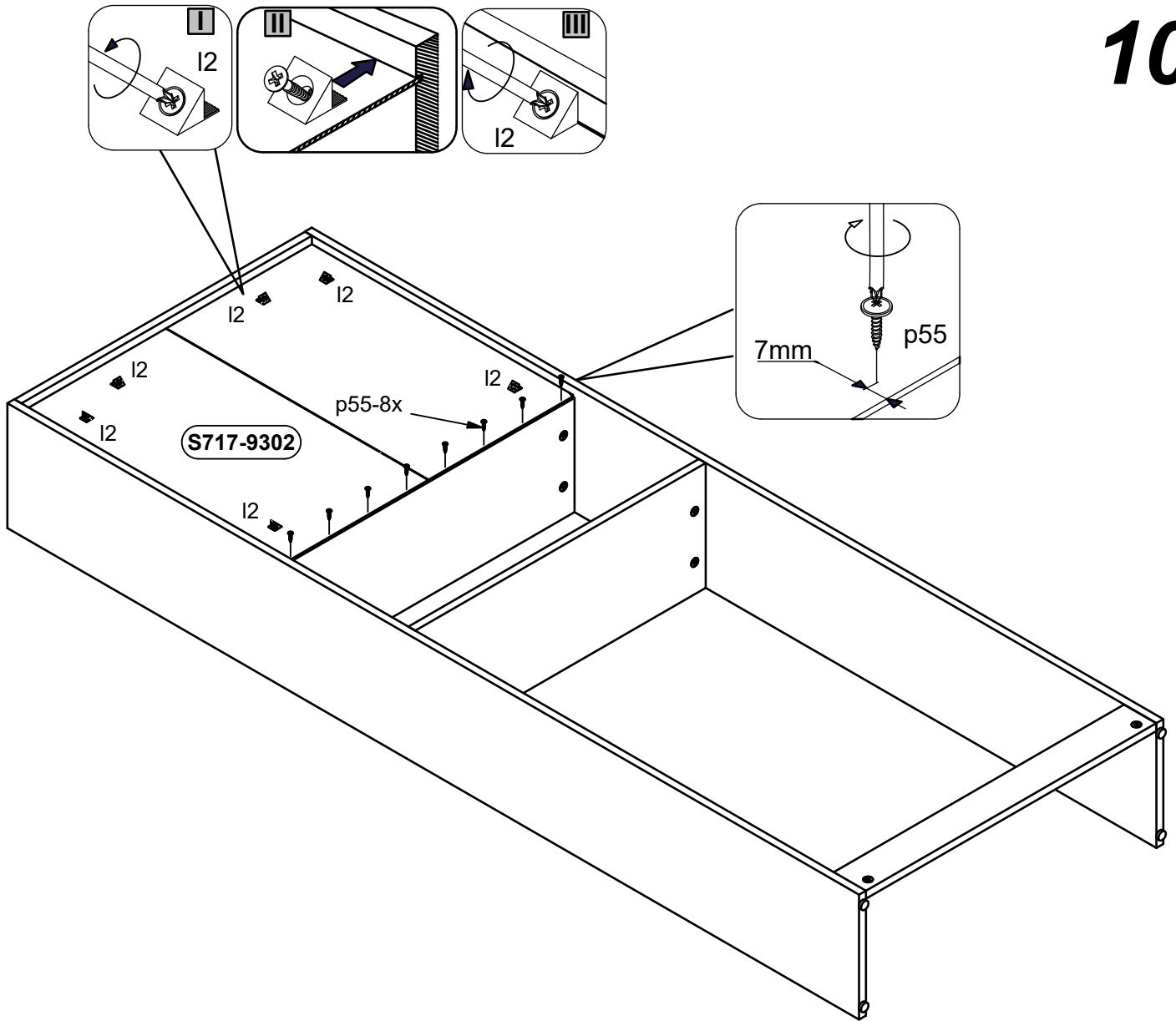
S717-1006

9

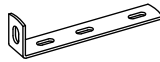



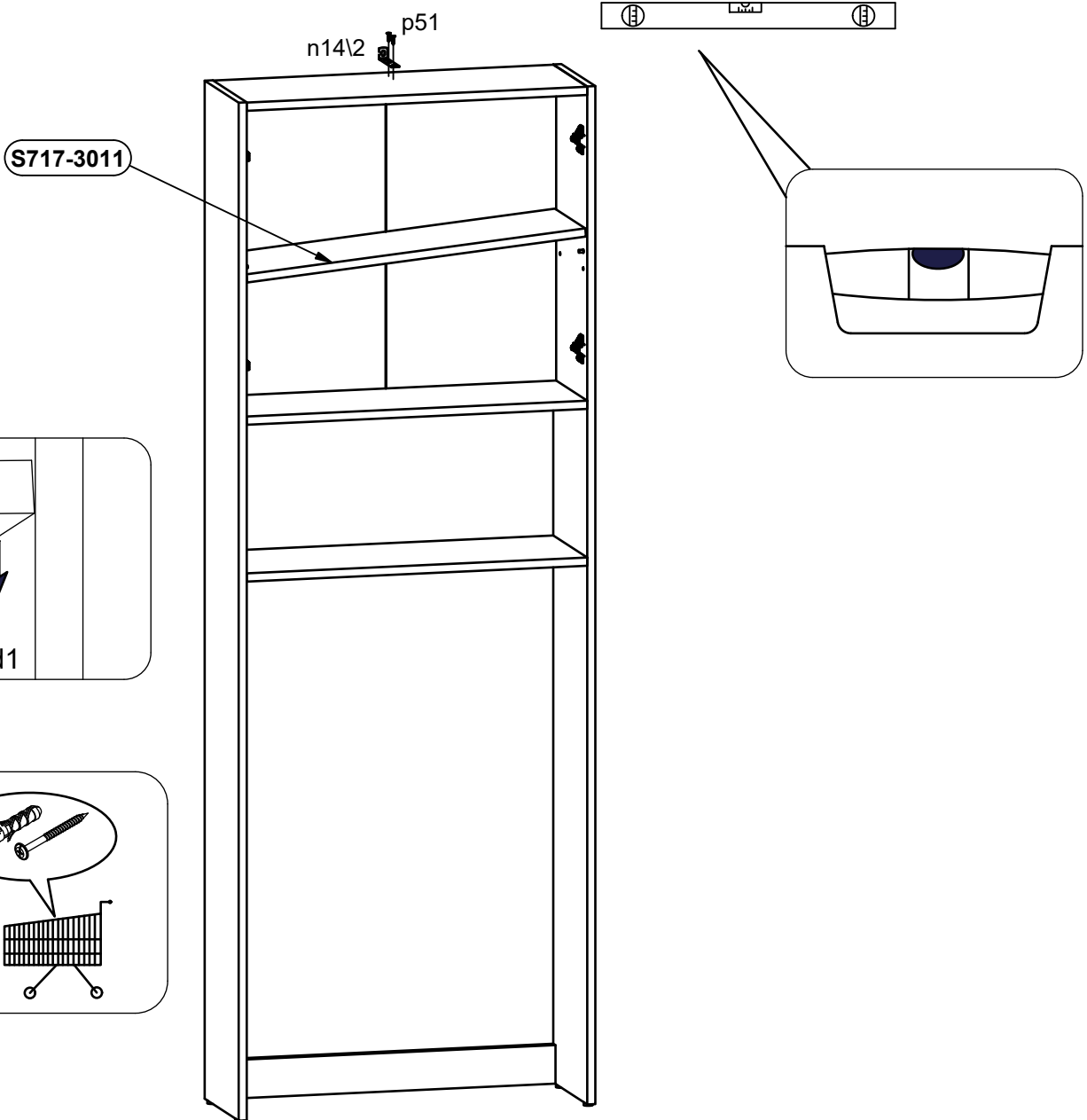
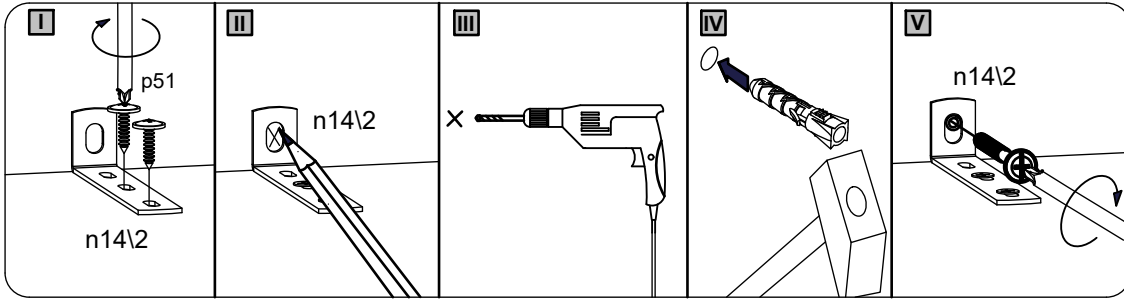
<p>p55</p>  <p>2.9x16mm</p>	<p>8x</p>	<p>I2</p> 	<p>6x</p>
--	-----------	---	-----------

10


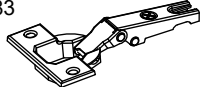


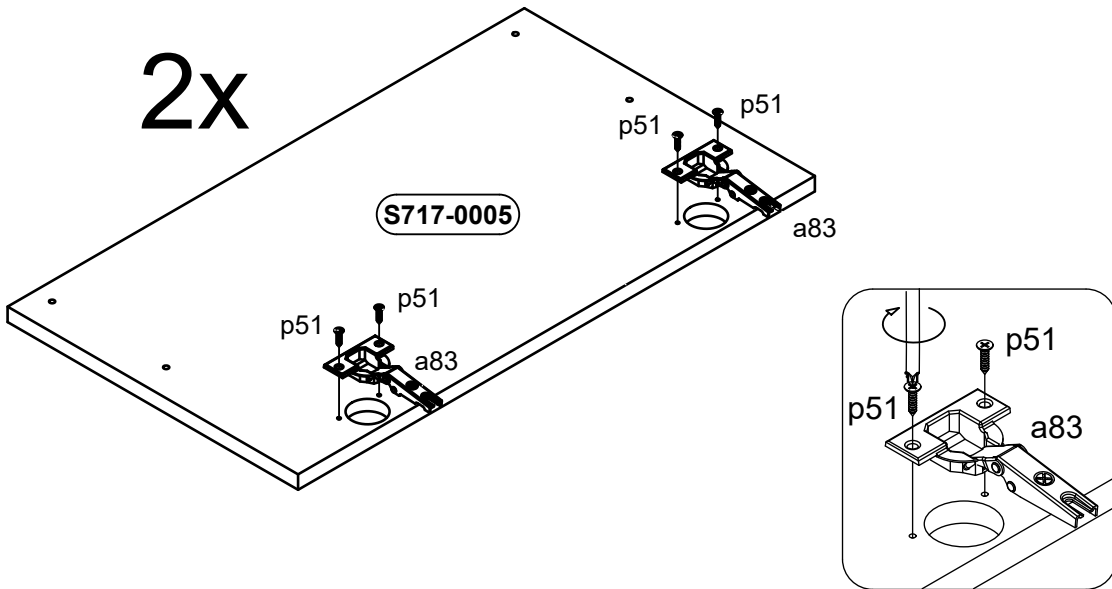
11

n14\2	1x	p51	2x
			3.5x15mm

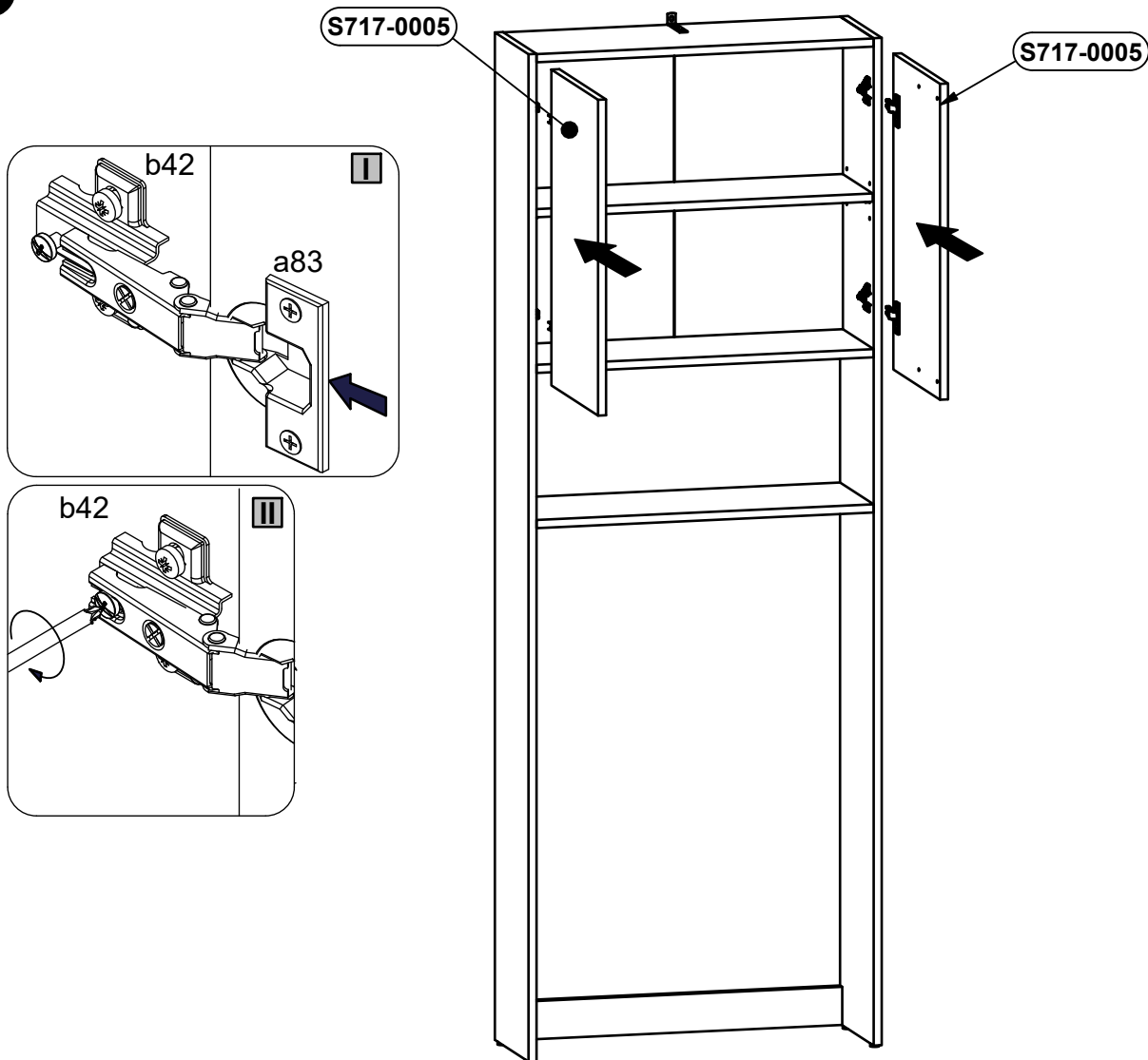


12

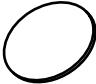


p51  3.5x15mm	8x	a83 	4x
--	----	--	----



13



14

s68  ø20mm	12x p87  Ø4x25 mm	4x c405  otw.128mm	2x
---	---	--	----

