

D

Montageanleitung

GB

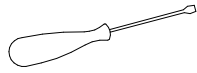
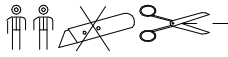
Assembly Instruction

BOXSPRINGBETT FLORENCE II

S-Nr. 10380181,10380182,10380183,10380184,10380185,10380370,10380371,10380372,
10380373,10380374
R-Nr. 1016008500,1016008501,1016008502,1016008503,1016008504,1016014400,1016014401,
1016014402,1016014403,1016014404
EAN 4044361055176,4044361055183,4044361055190,4044361055206,4044361055213,
4044361064949,4044361064956,4044361064963,4044361064970,4044361064987

160

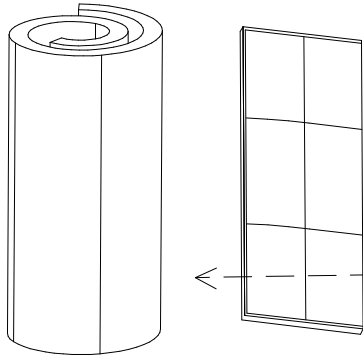
180



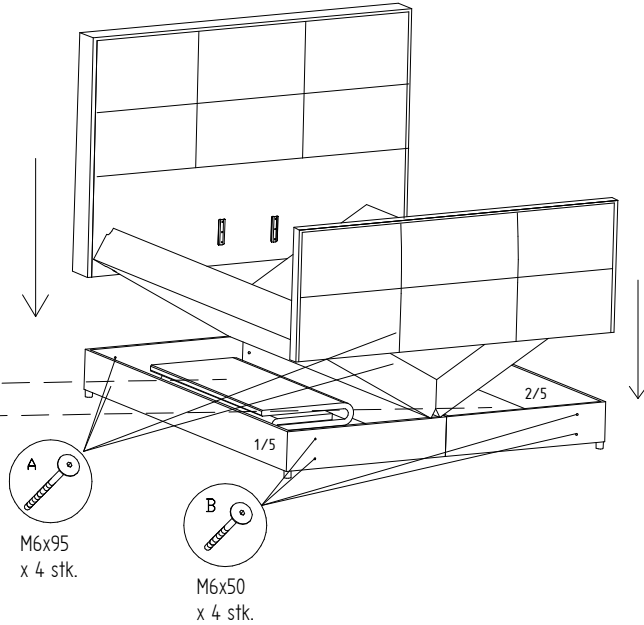
nicht entarten

	1/5							
	2/5	x 1 stk.	M6x95	M6x50	4x50	45x50	M6x20	
	3/5		x 4 stk.	x 4 stk.	x 8 stk.	x 8 stk.	x 4 stk.	
	4/5							
	5/5							x 2 stk.

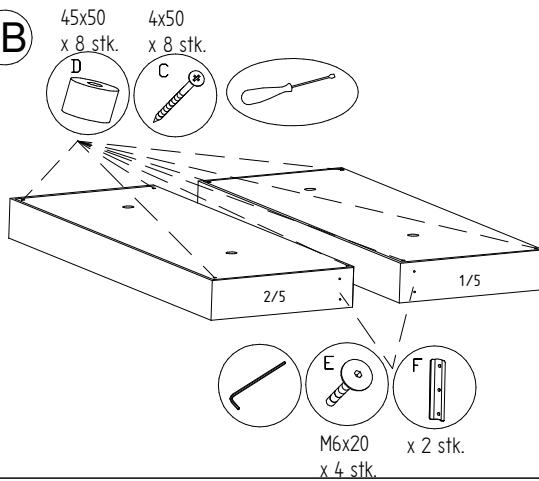
1A



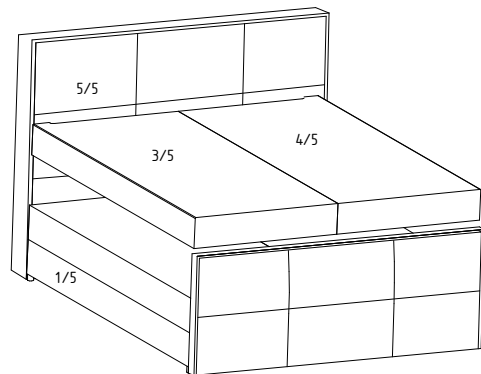
2



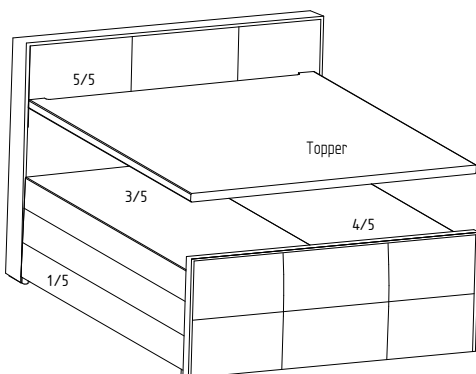
1B



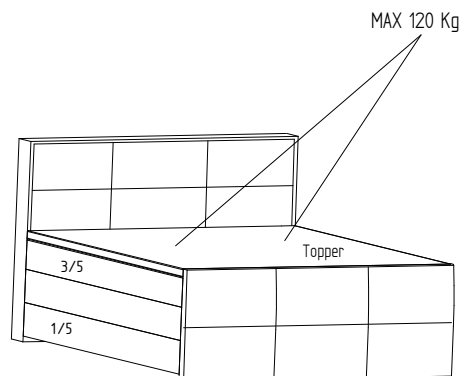
3



4



5



Bitte wenden Sie den Topper und die Matratzen mindestens 1 mal im Monat