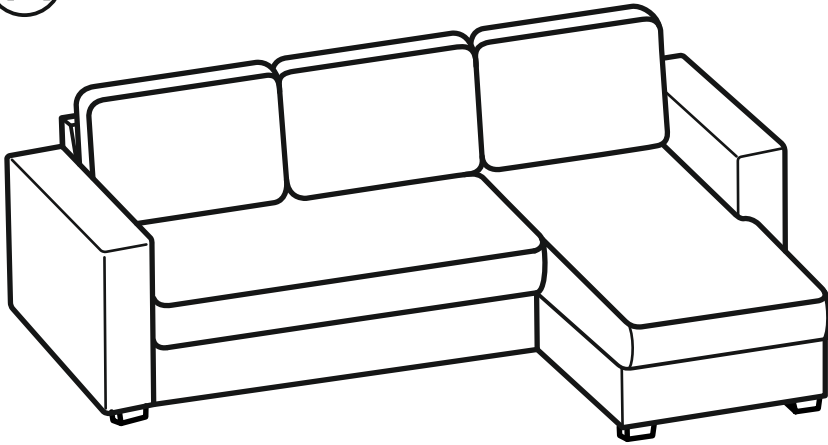
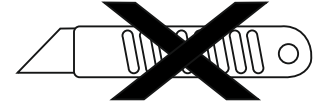
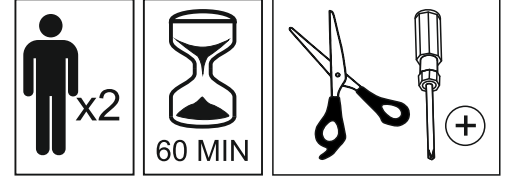


A



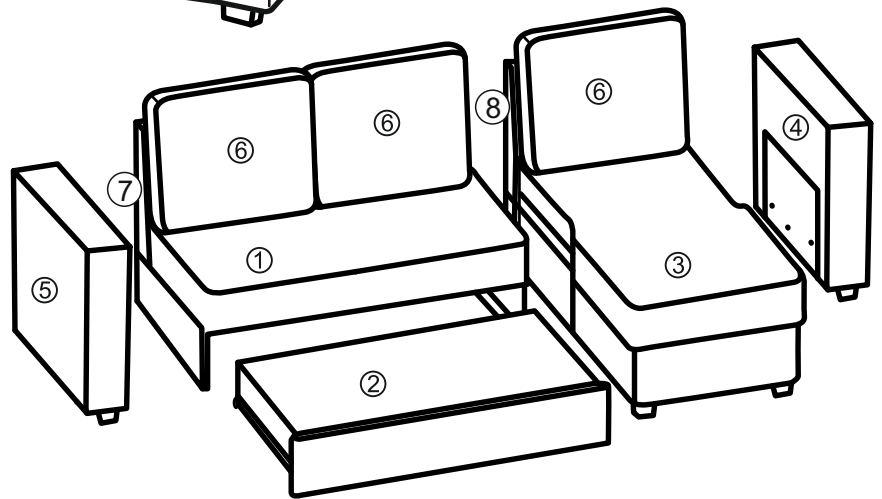
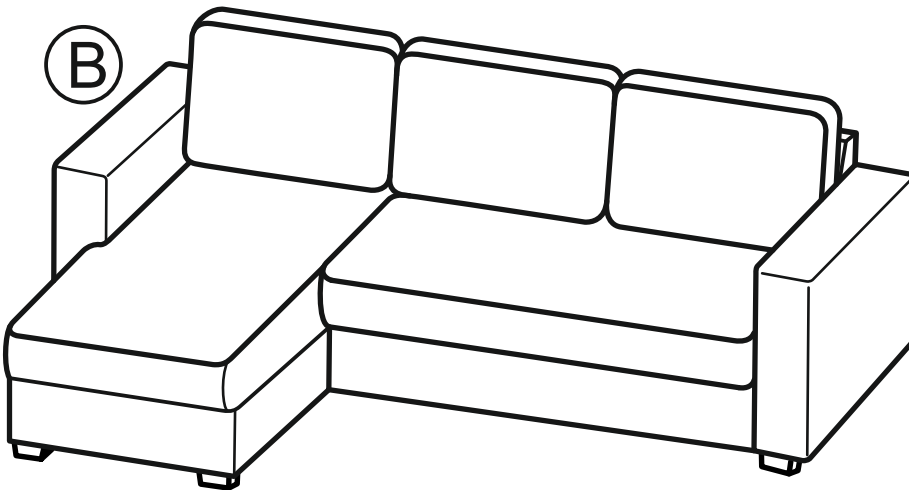
TARA 2F.REC/BK
TARA REC/BK.2F

05-05/2021



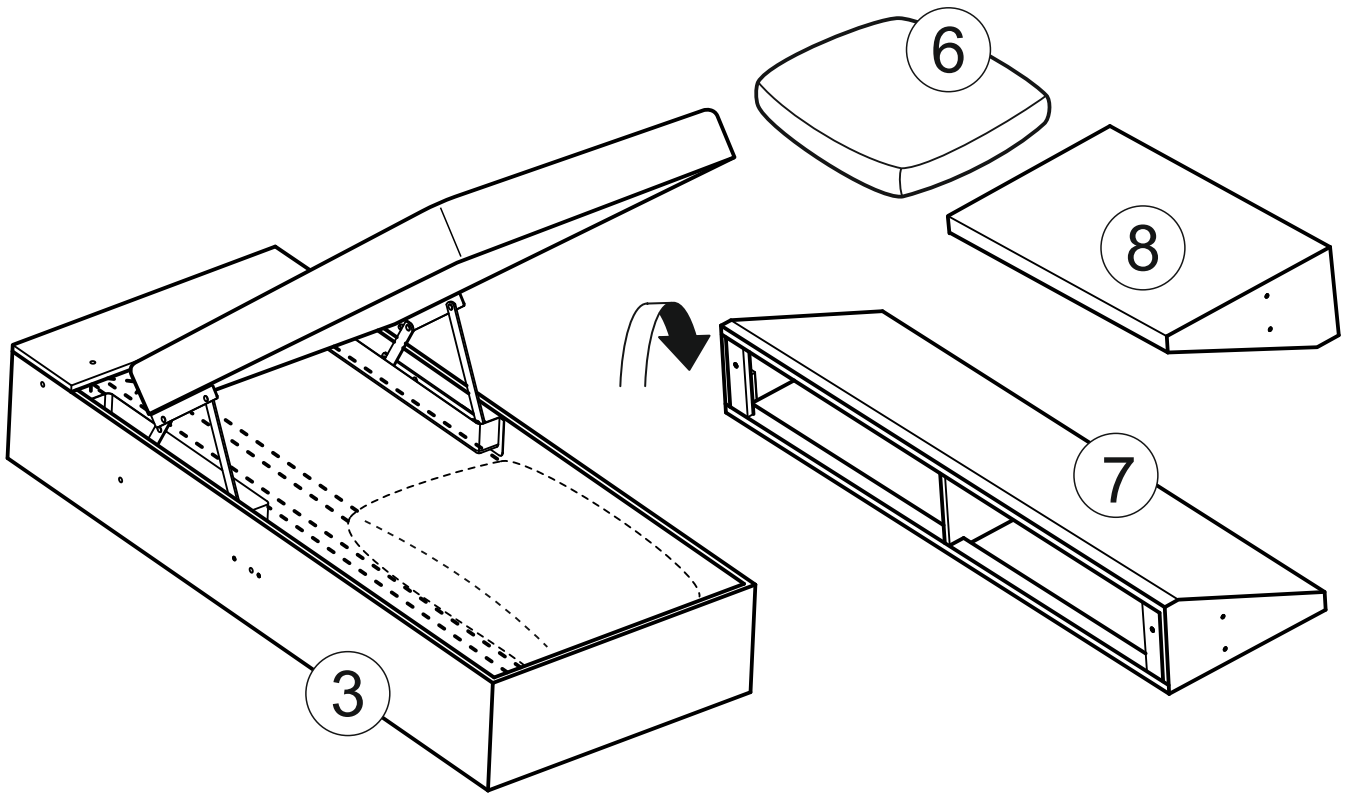
Nº	Name	Number of part	Dimension
1/2	REC/BK	3,7,8,6(1)	160x73x44
2/2	2F	1,2,4,5,6(2)	137x92x64

B

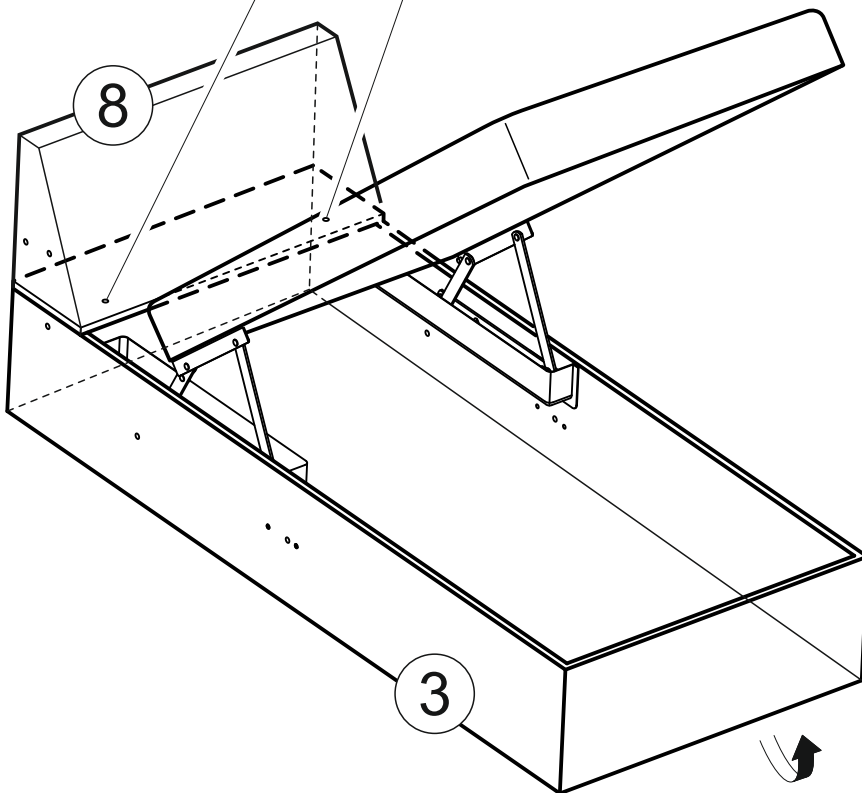
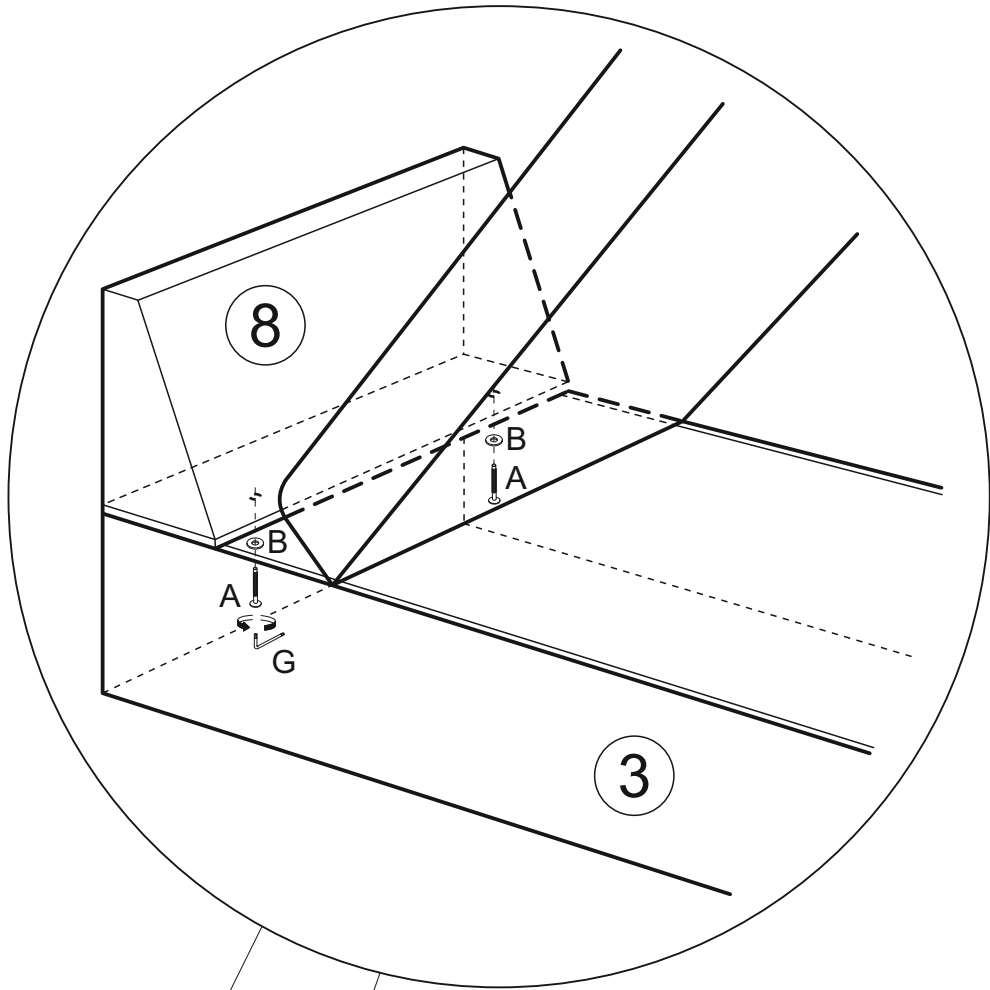
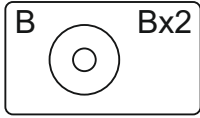
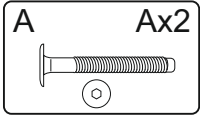


A	Ax10 M6x40	B	Bx10 M8x24	C	C x4	D	D x 13 Felt Feutre ∅ 25
E	E x 1	F	F x8 M6x20	G	G x 1 ∅ M4	H	H x 13 5x40
I	I x 2	J	J x 16	K	K x 2	L	L x 4
M	M x 6						

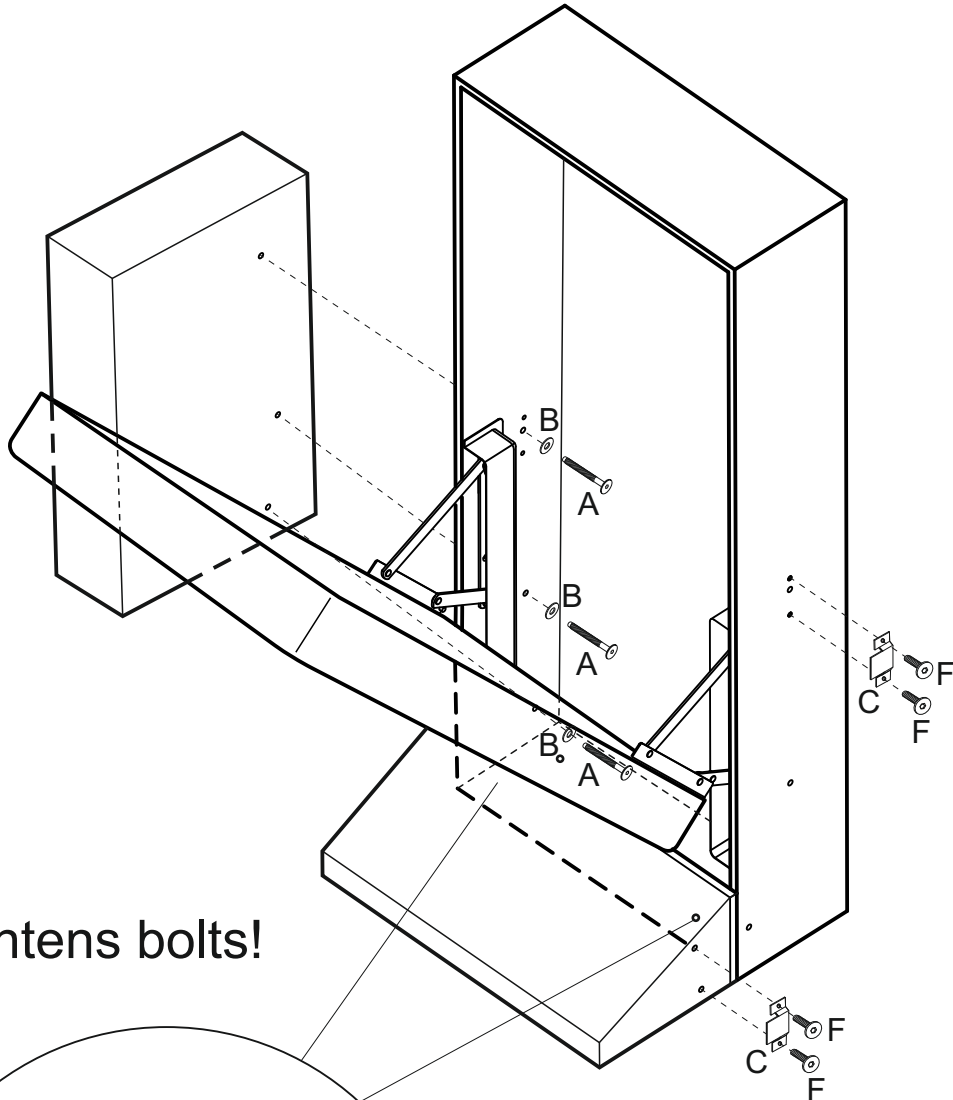
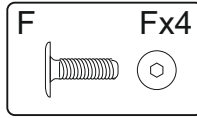
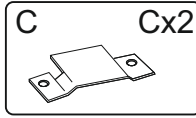
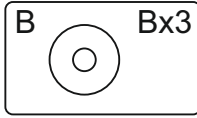
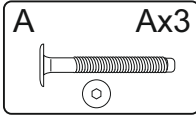
1a,b



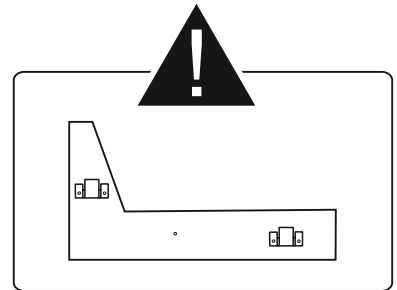
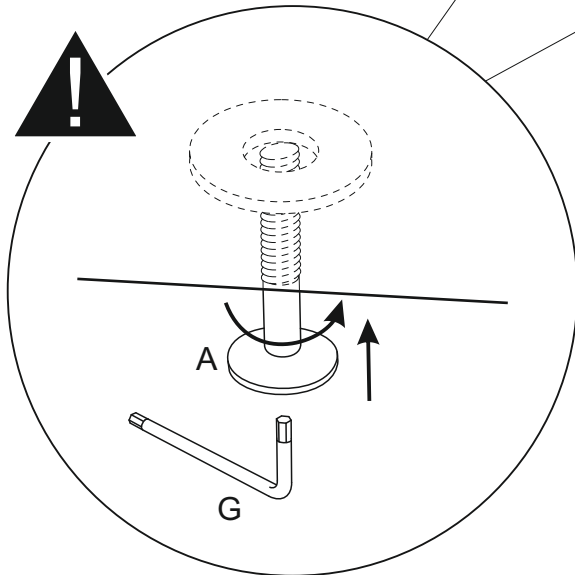
2a,b



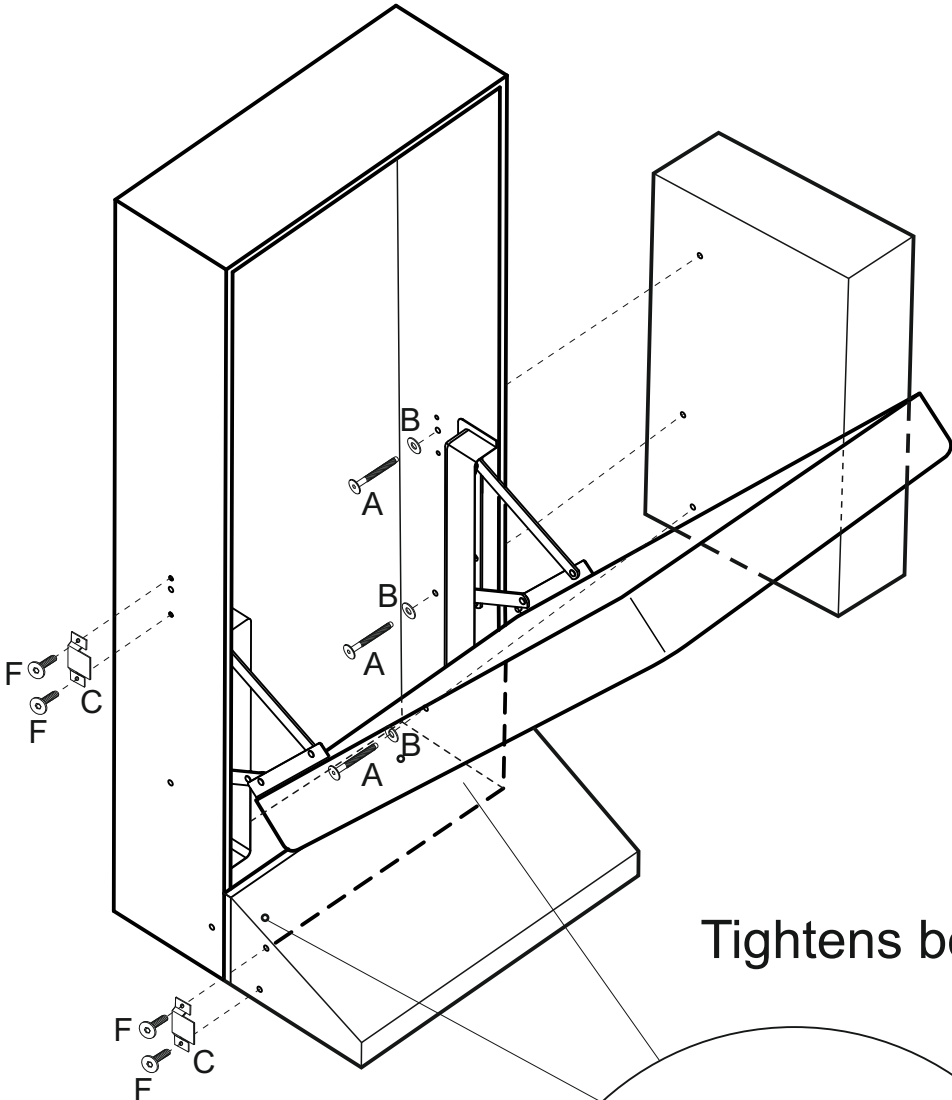
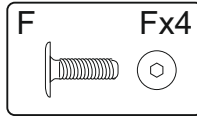
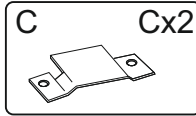
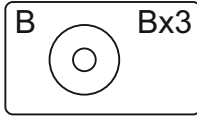
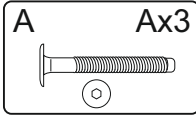
3a



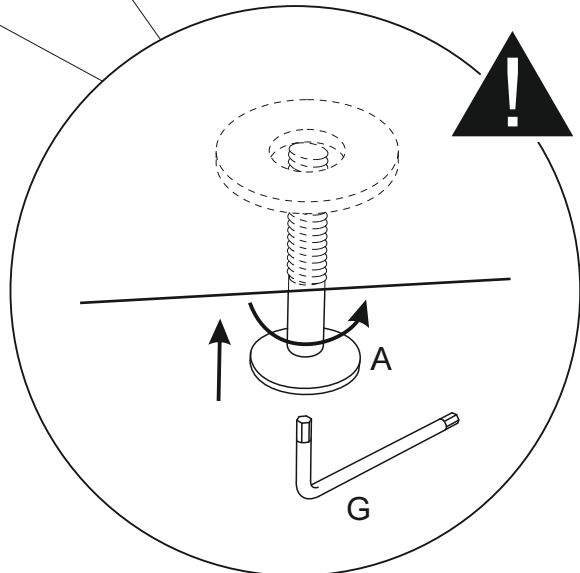
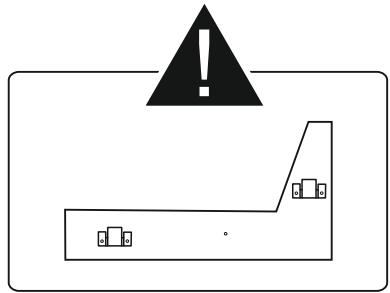
Tightens bolts!



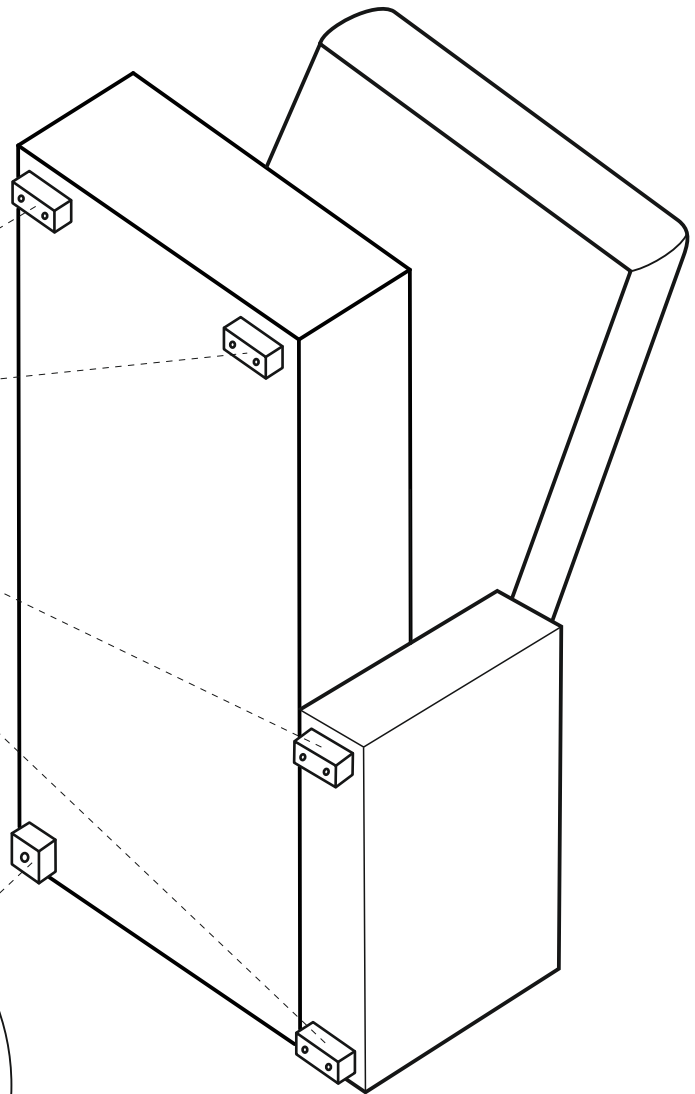
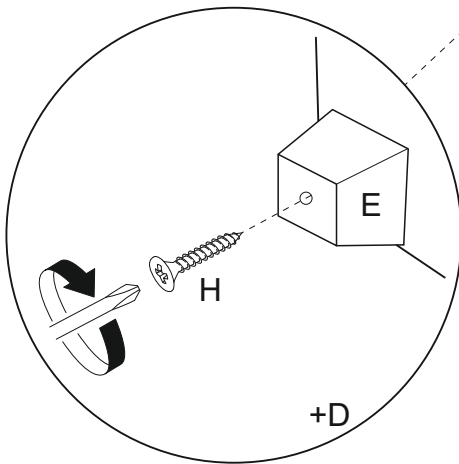
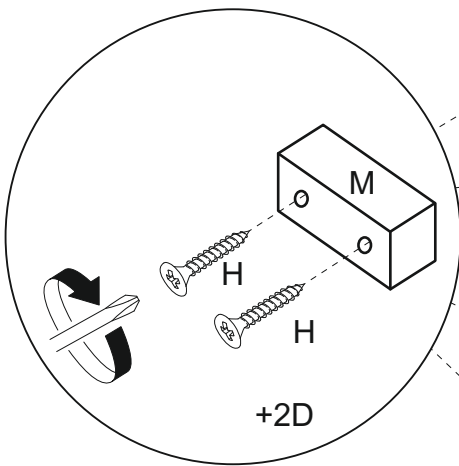
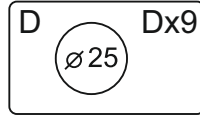
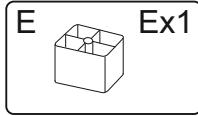
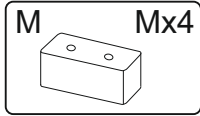
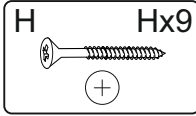
3b



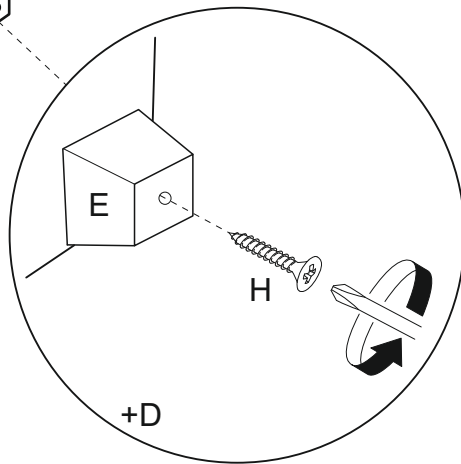
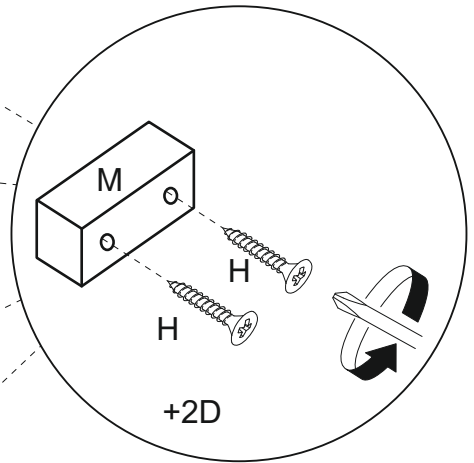
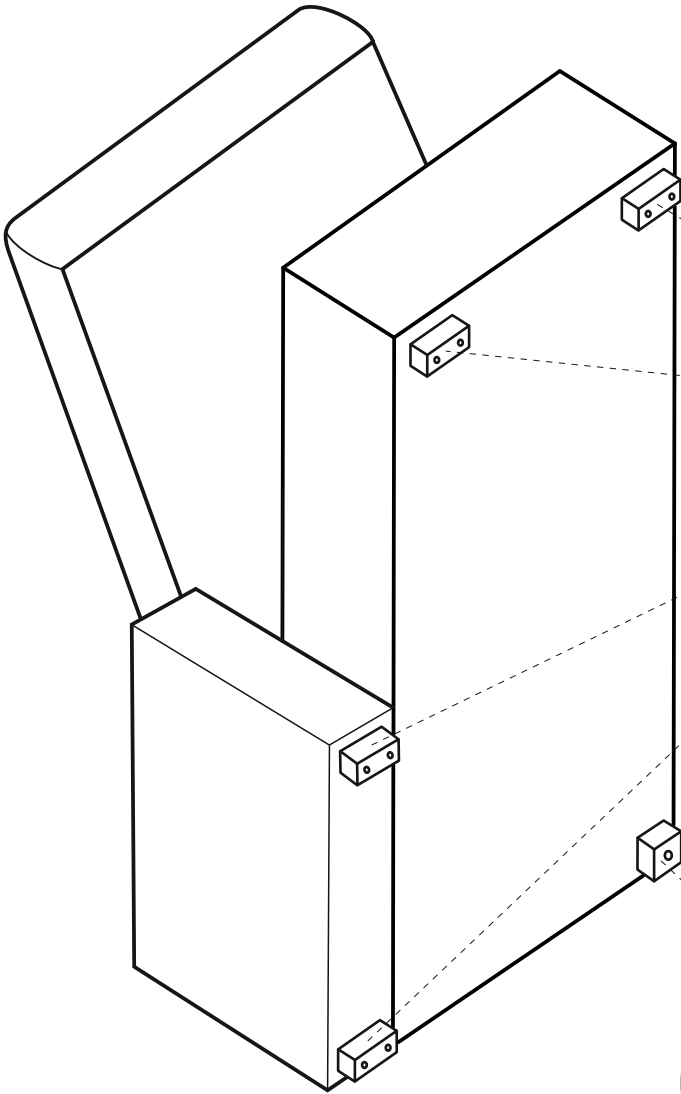
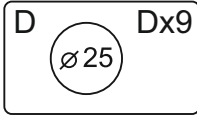
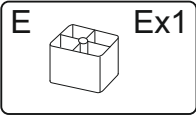
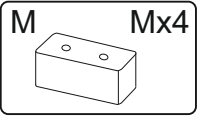
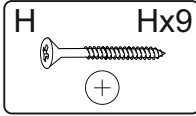
Tightens bolts!



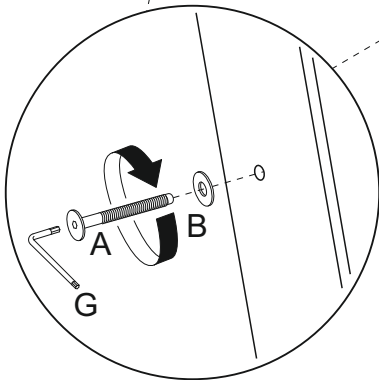
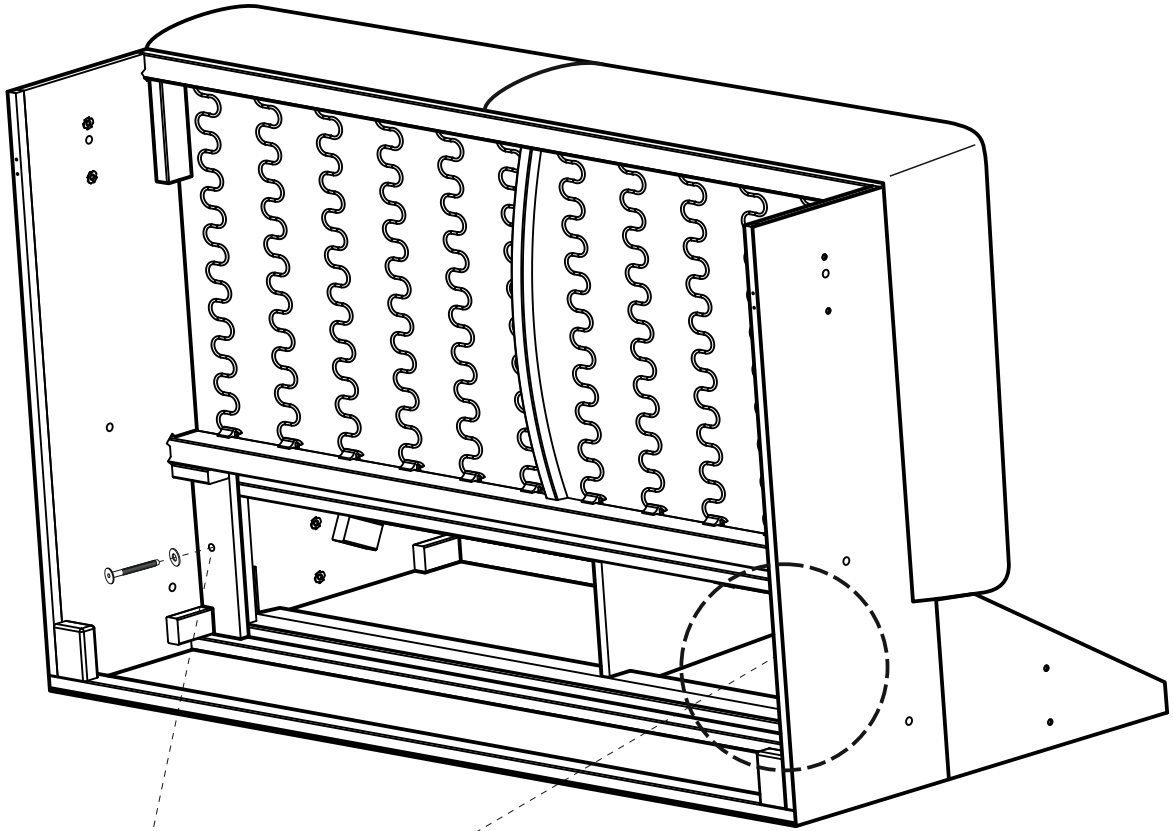
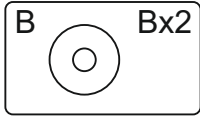
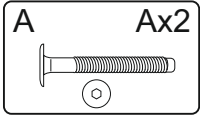
4a



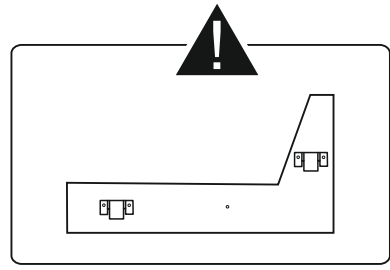
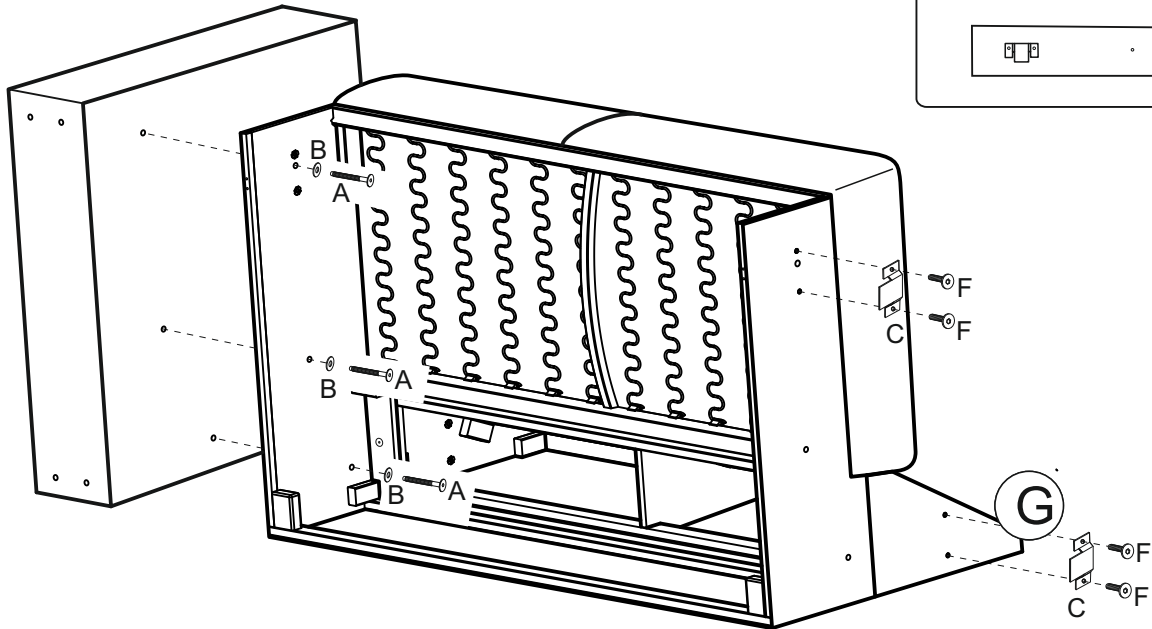
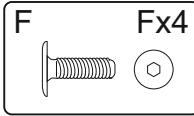
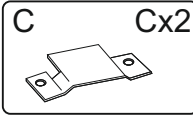
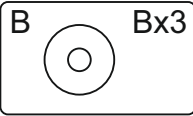
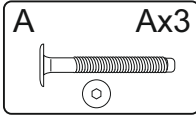
4b



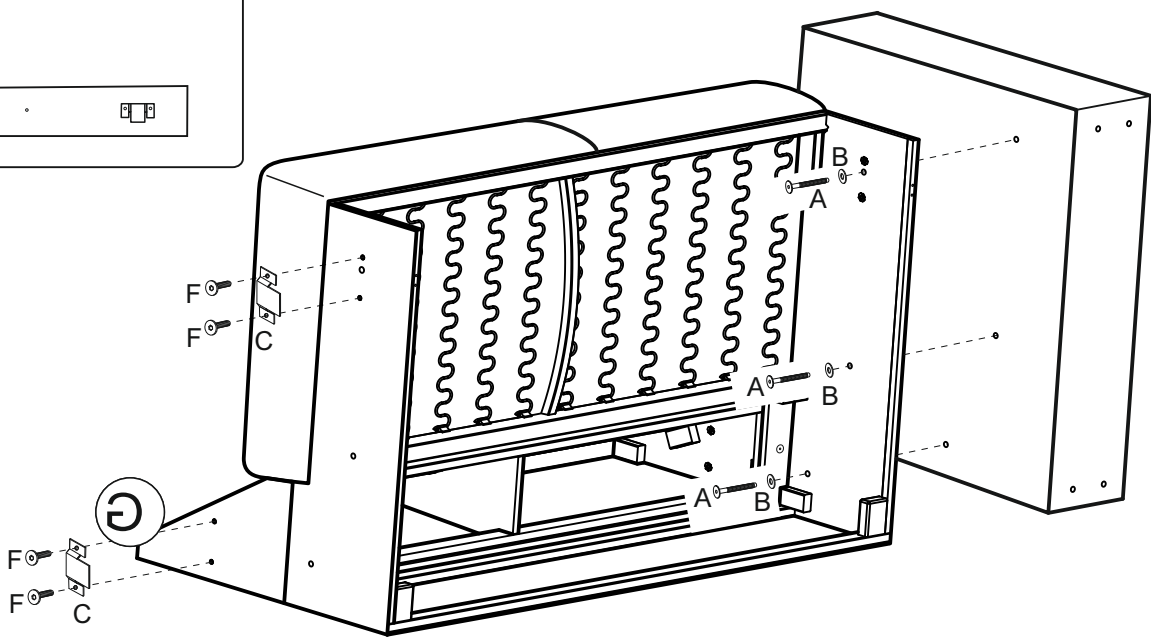
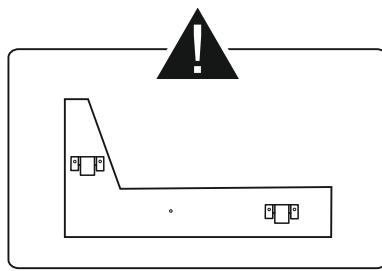
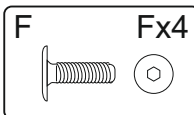
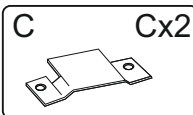
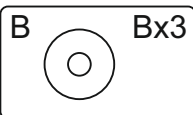
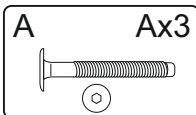
5a,b



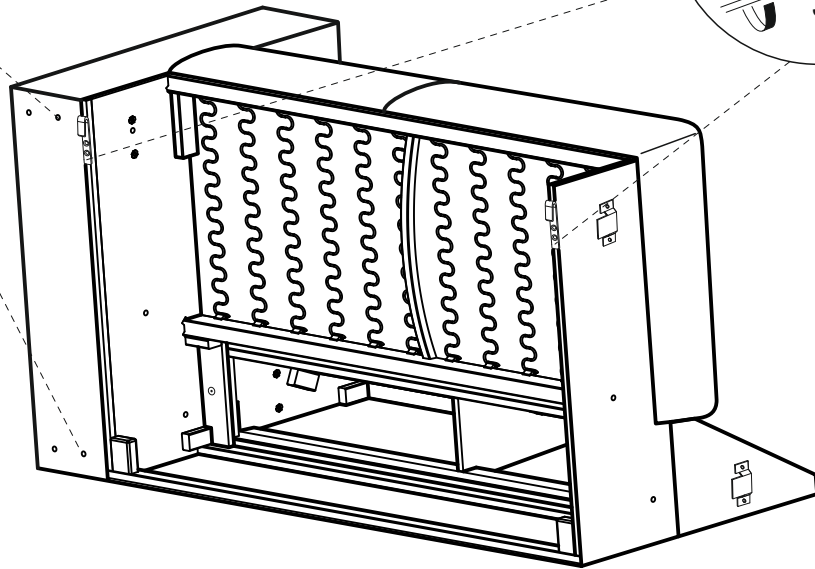
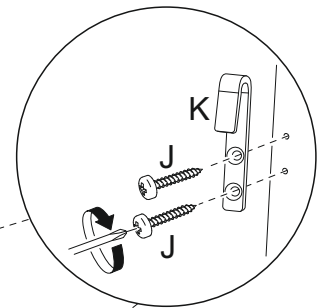
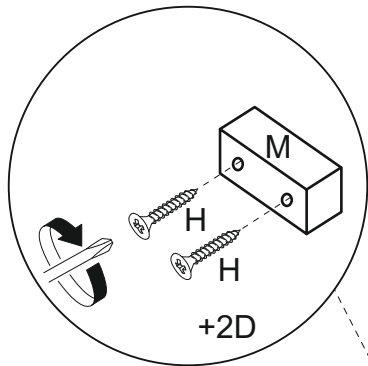
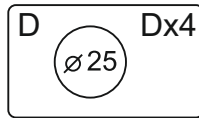
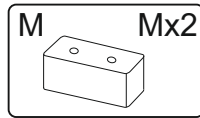
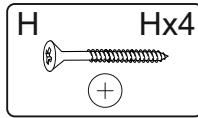
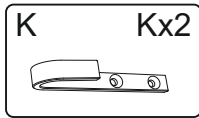
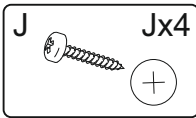
6a



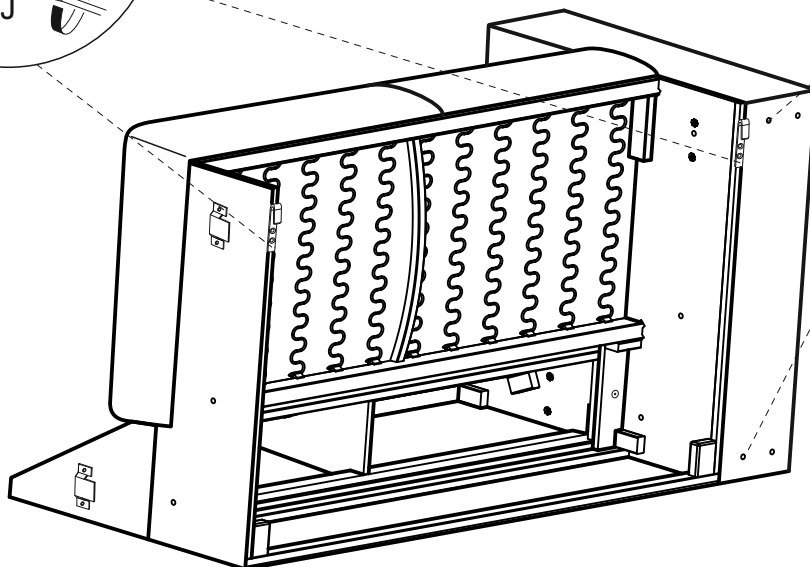
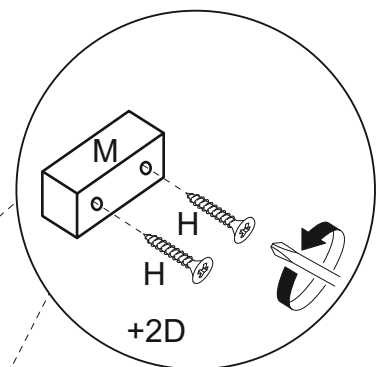
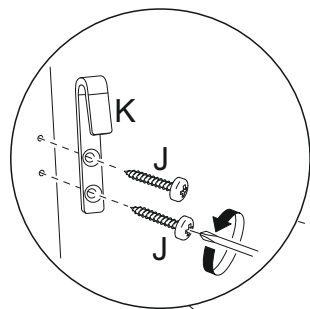
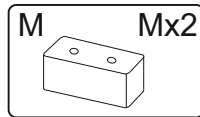
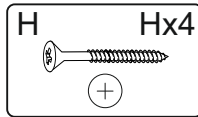
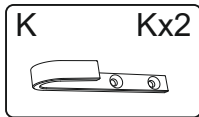
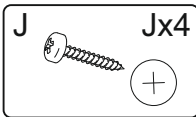
6b



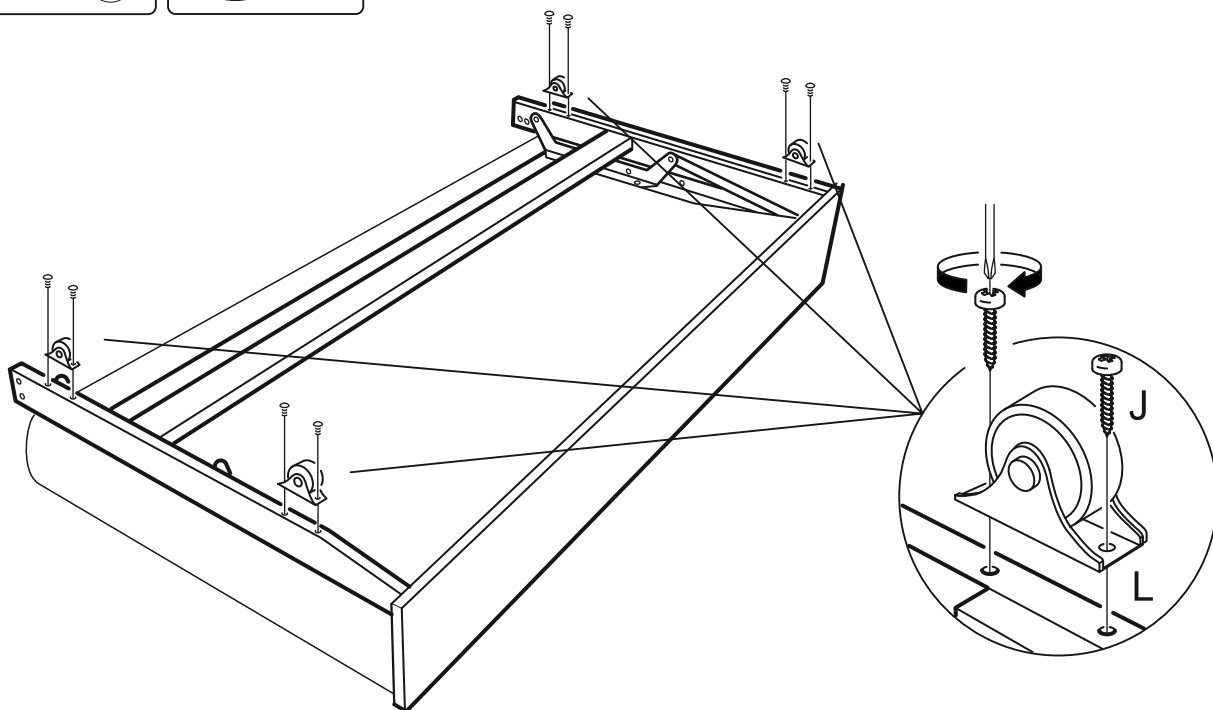
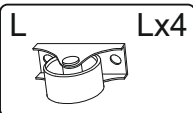
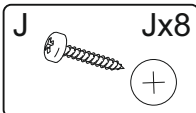
7a



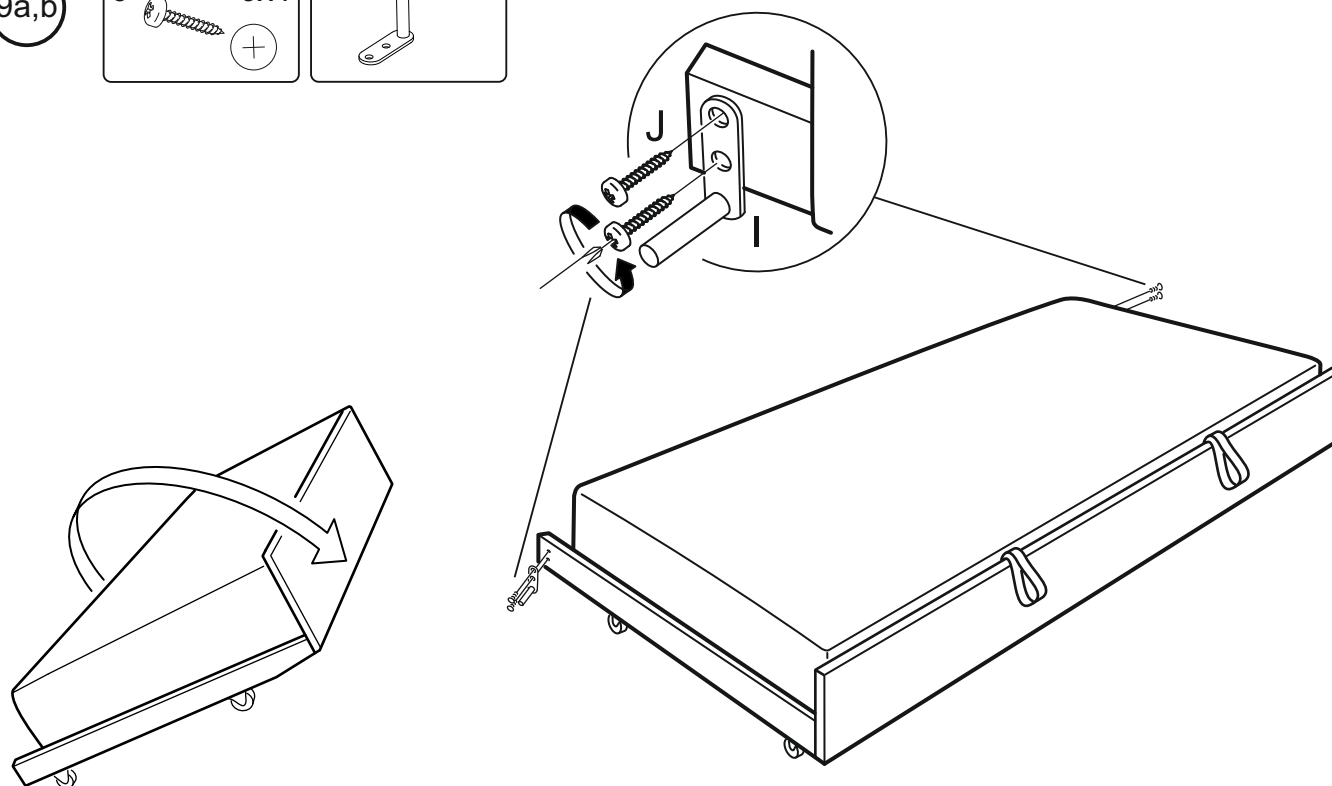
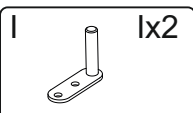
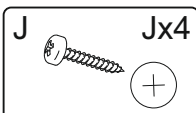
7b



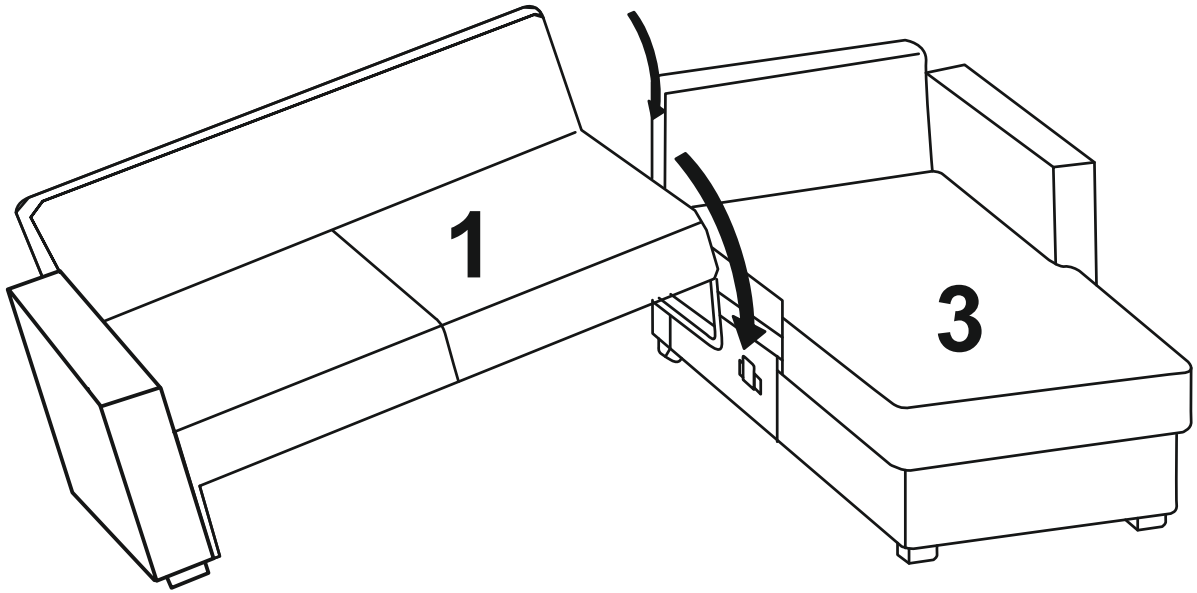
8a,b



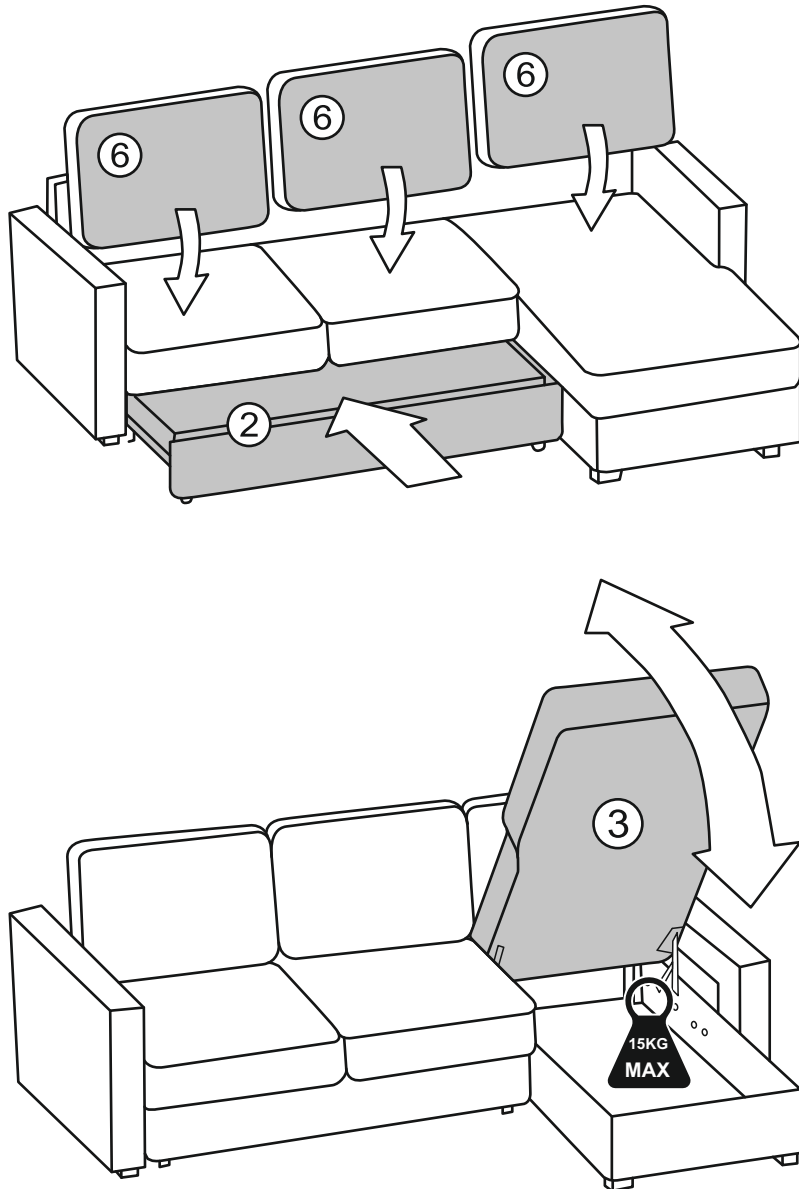
9a,b



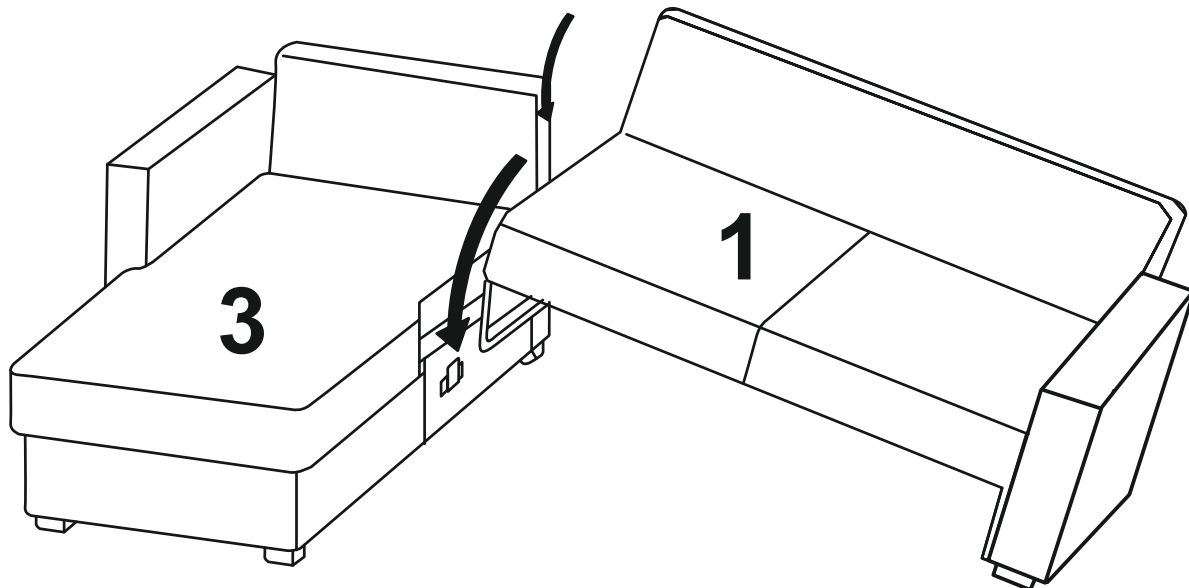
10a



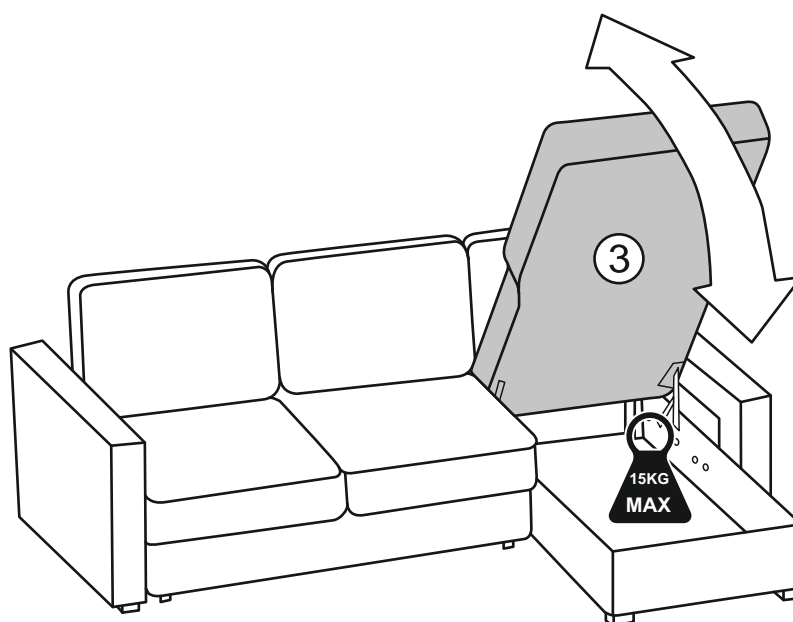
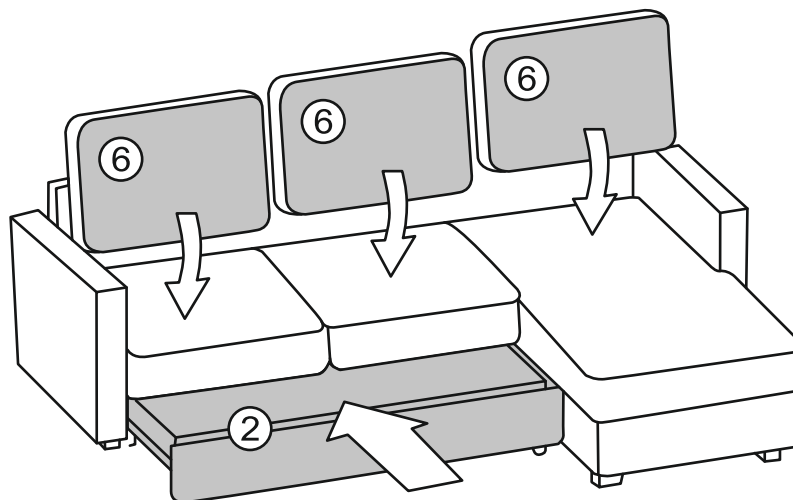
11a



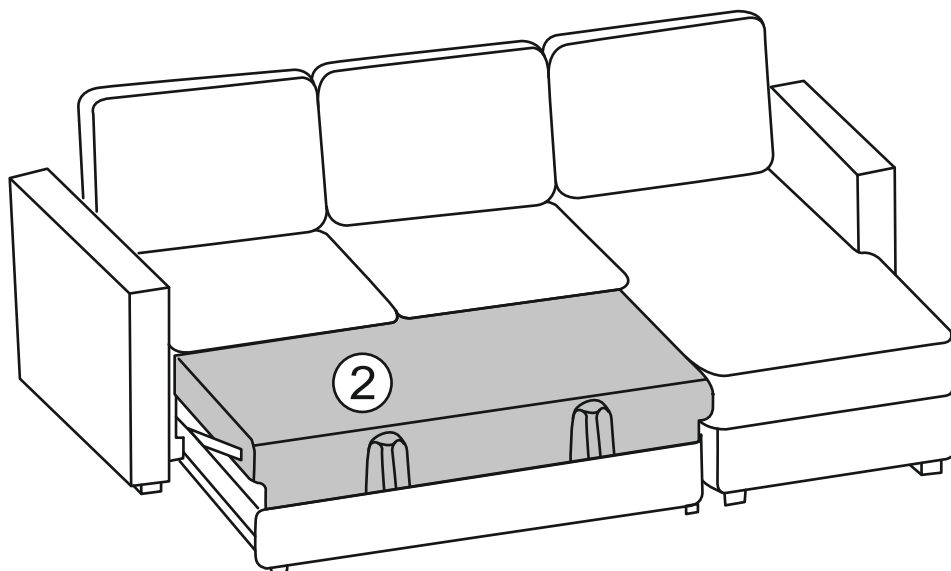
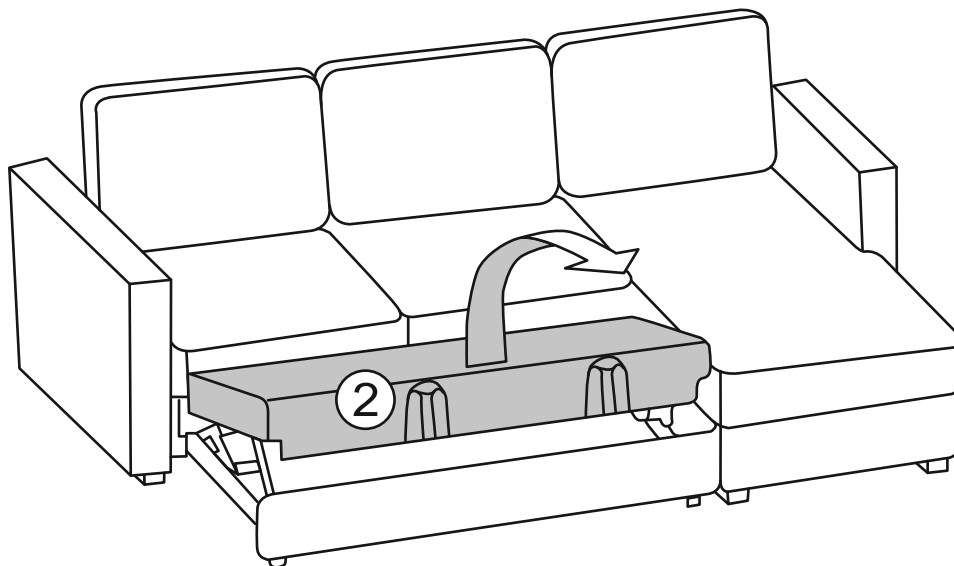
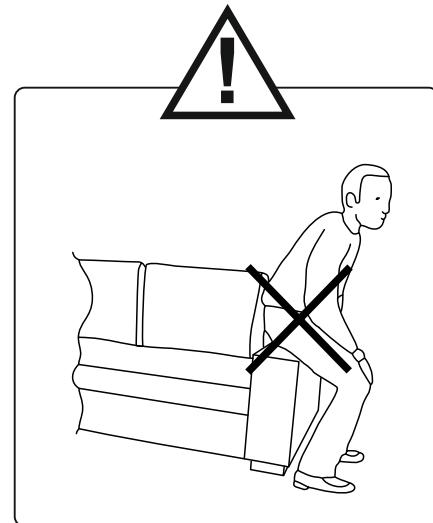
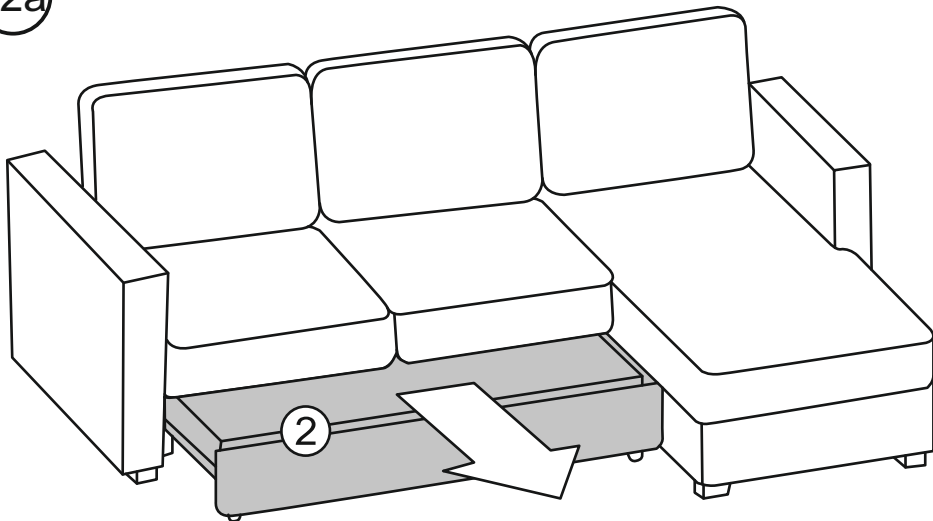
10b



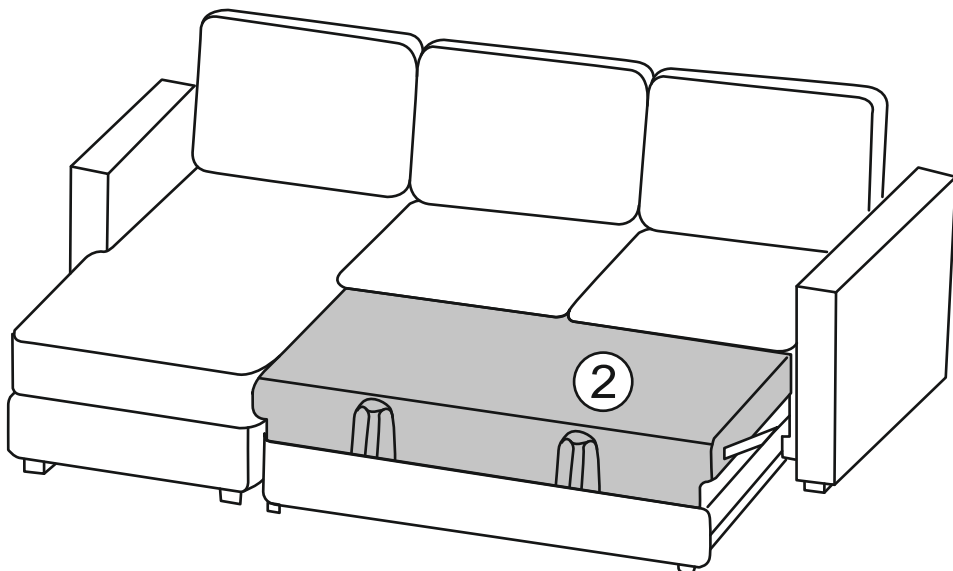
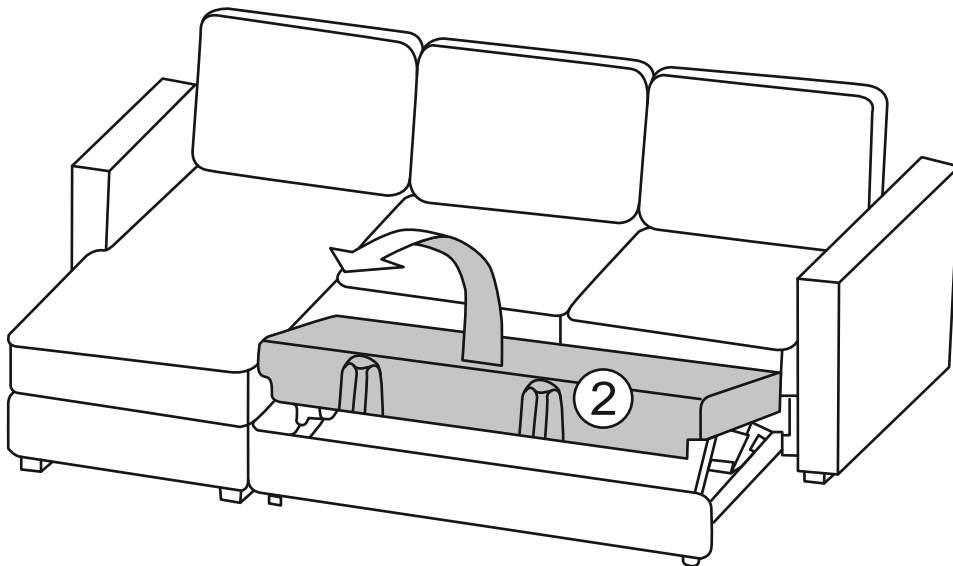
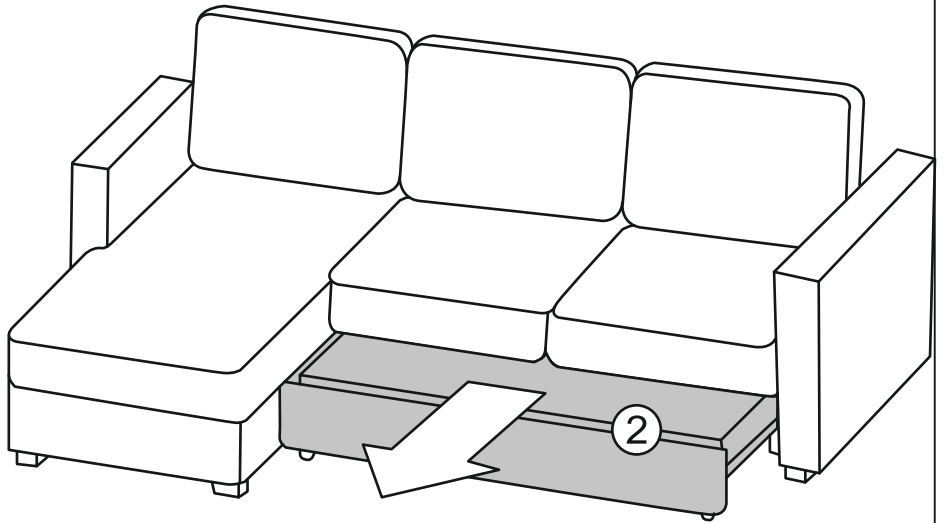
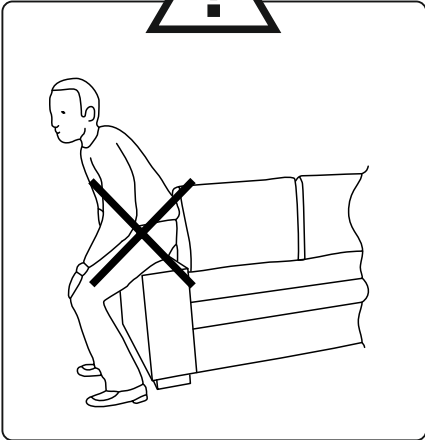
11b



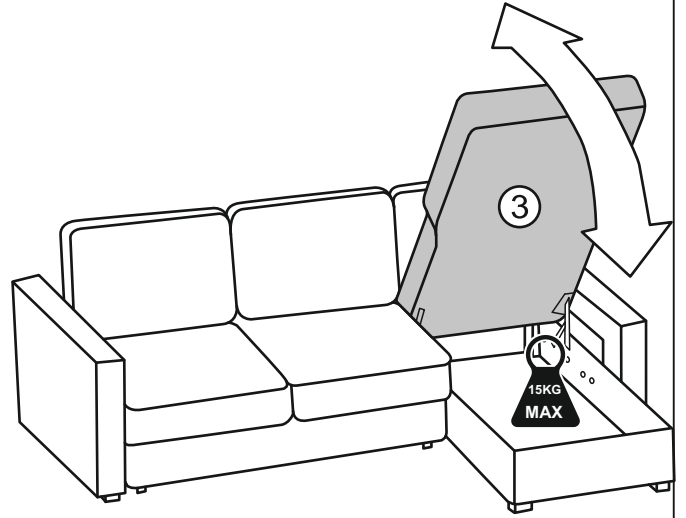
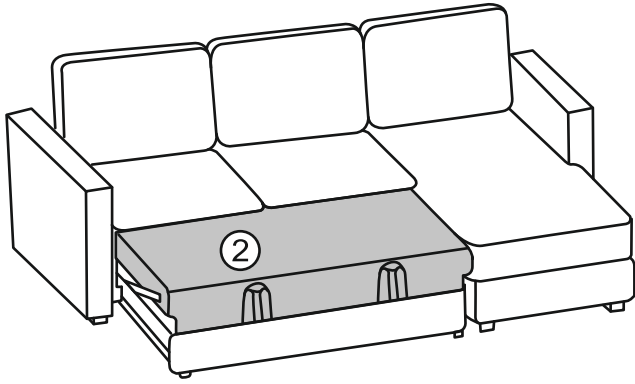
12a



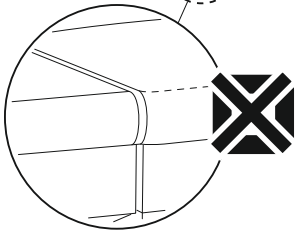
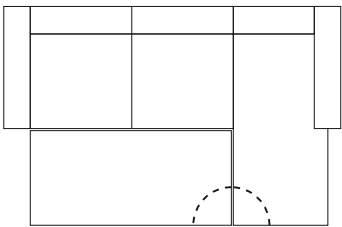
12b



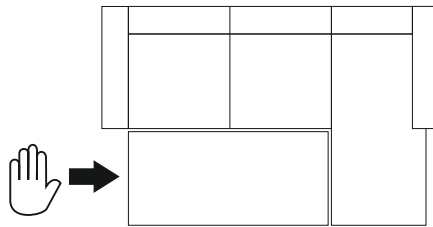
13a



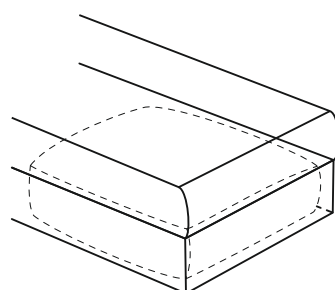
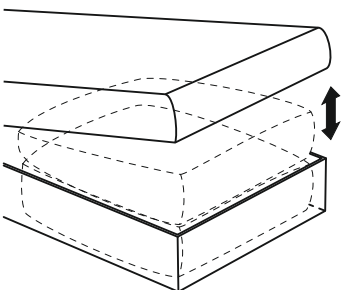
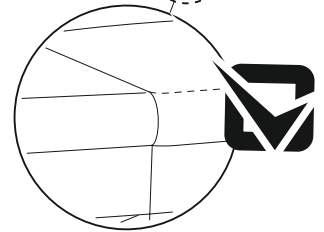
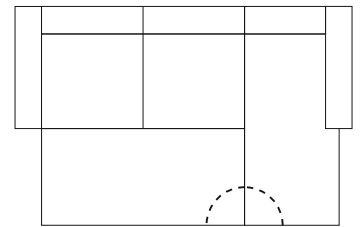
I

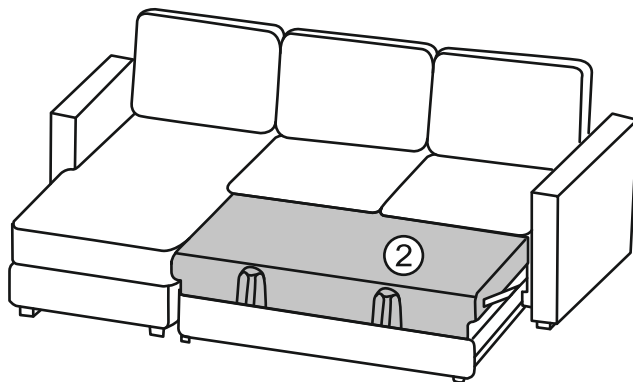
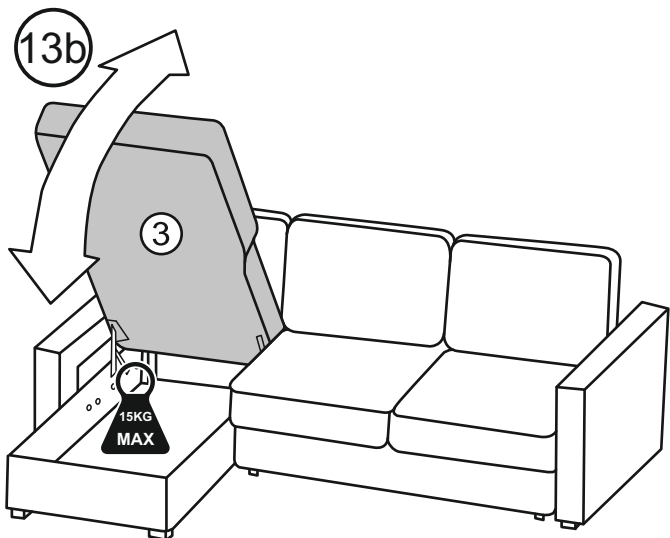


II

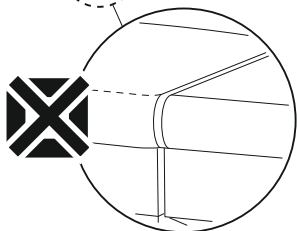
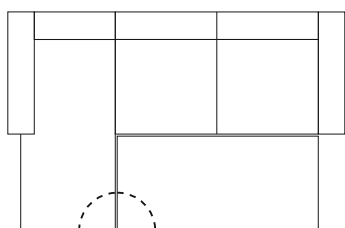


III

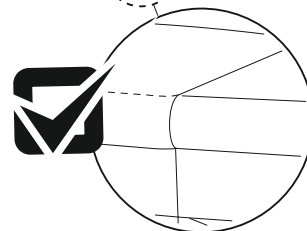
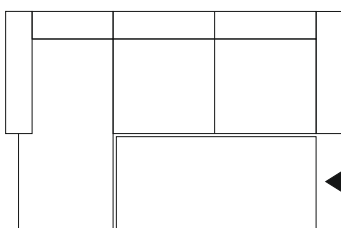




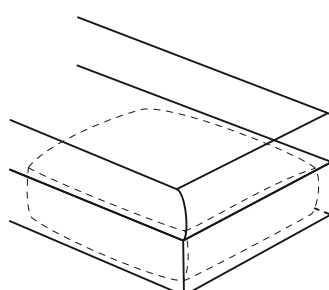
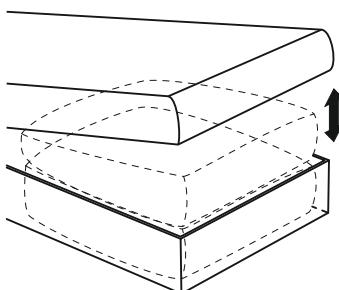
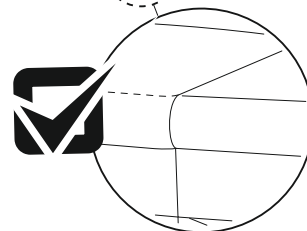
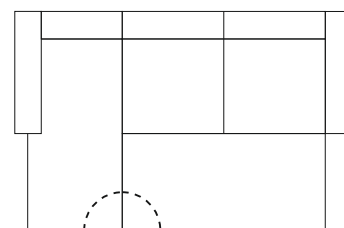
I



II



III



ATTENTION!

