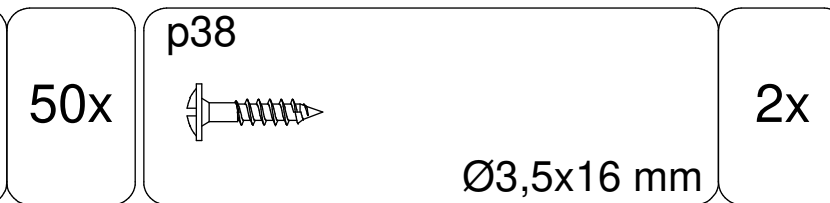
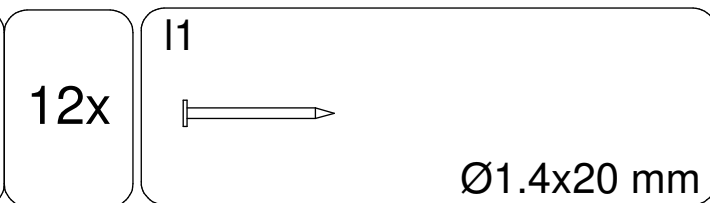
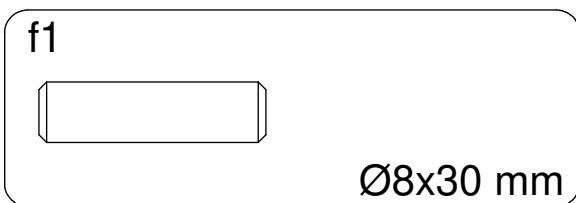
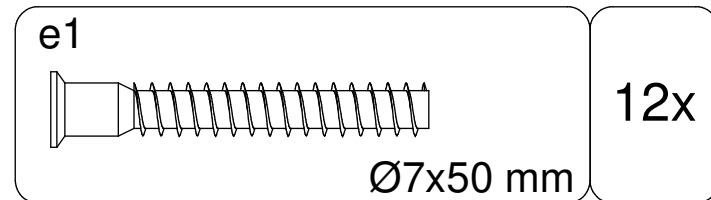
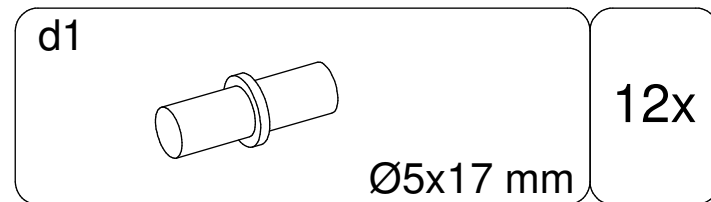
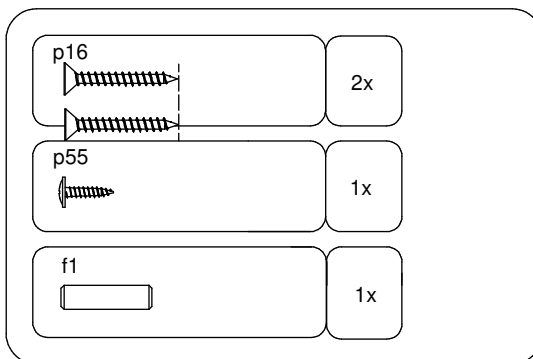
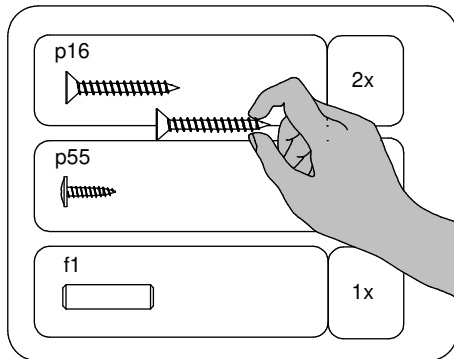
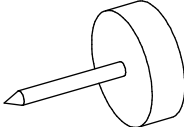
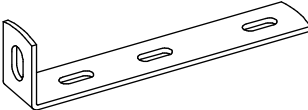
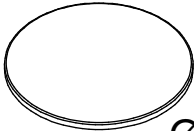
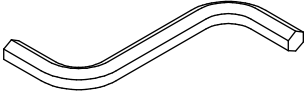



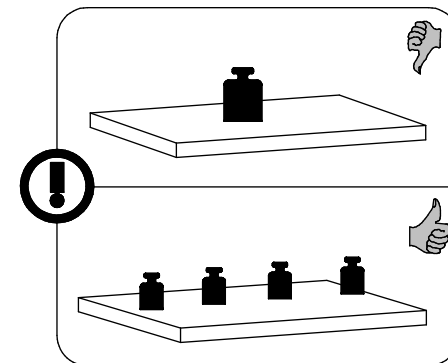
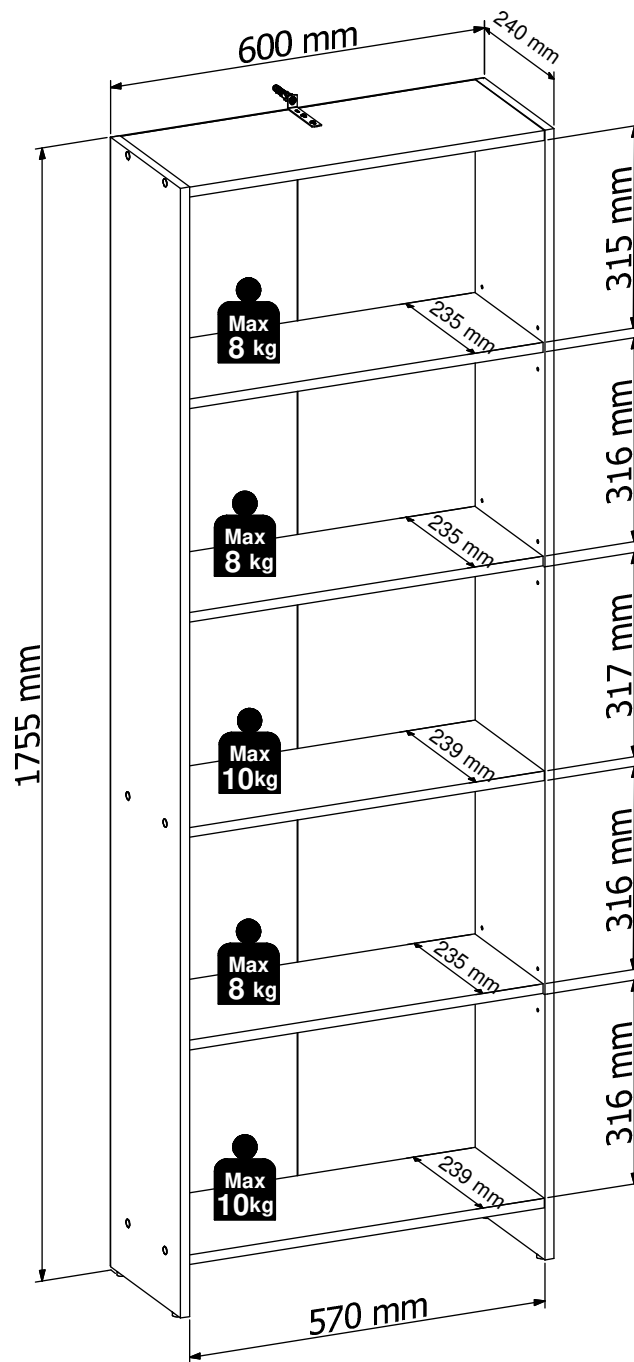
B1	B2	C1	C2	C3	C4	D
S651-1001	-	1750	240	15	1	2/2
S651-1002	-	1750	240	15	1	2/2
S651-3001	-	570	239	15	3	1/2
S651-3002	-	569	235	15	3	1/2
S651-9301	-	1748	599	2,5	1	2/2

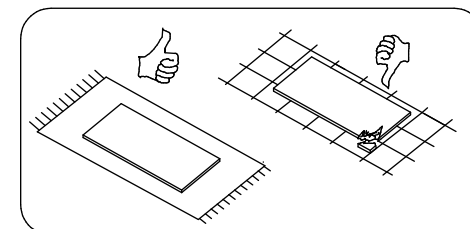
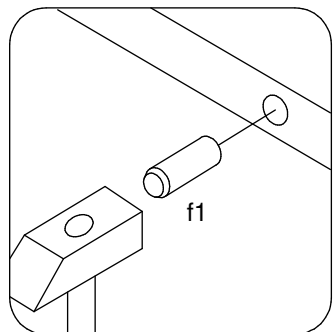
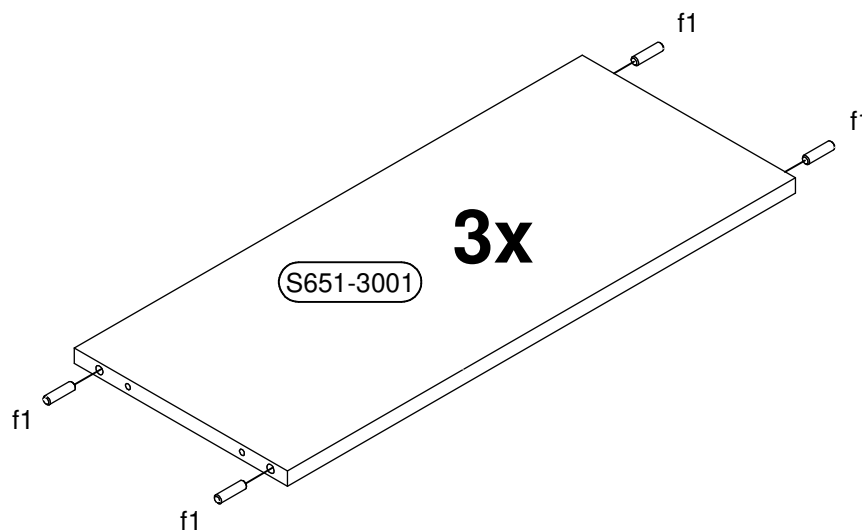
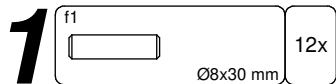
1:1



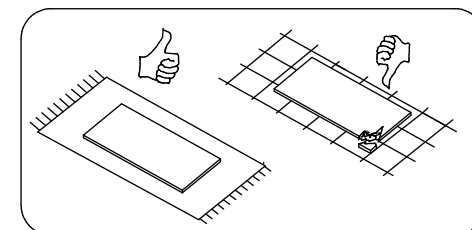
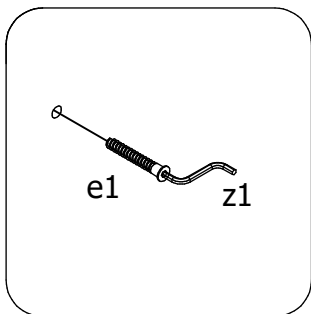
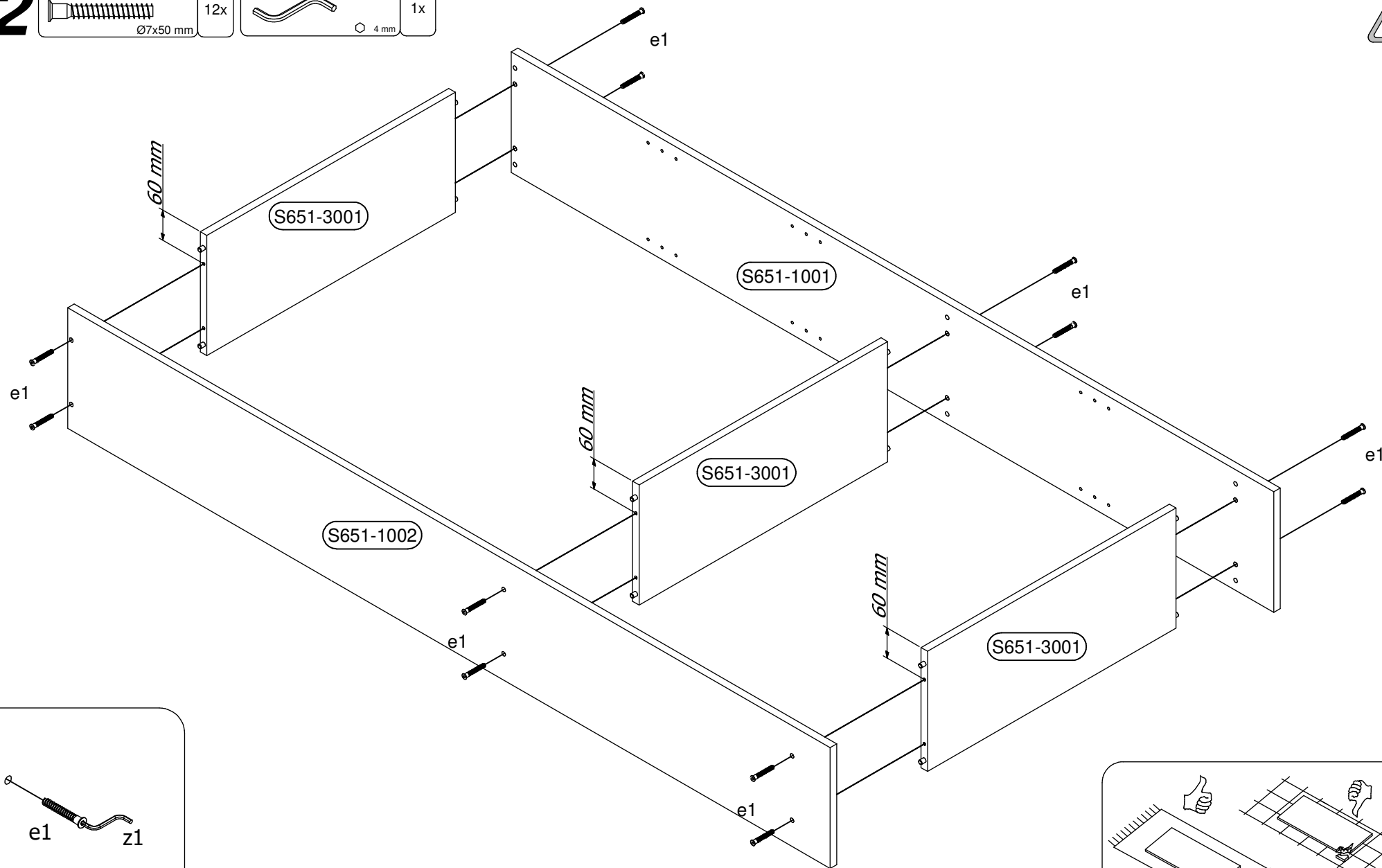
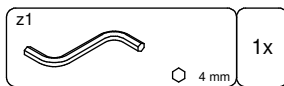
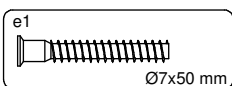
~~1:1~~


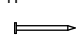
k1 	4x	n14\2 	1x	s59  Ø14x0.5 mm	12x
z1   4 mm	1x				

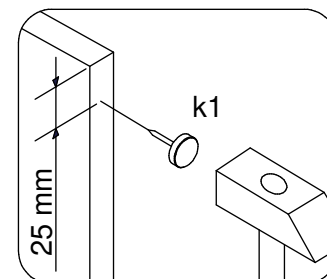
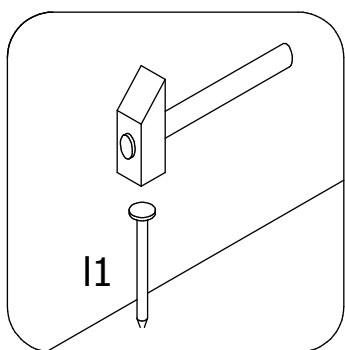
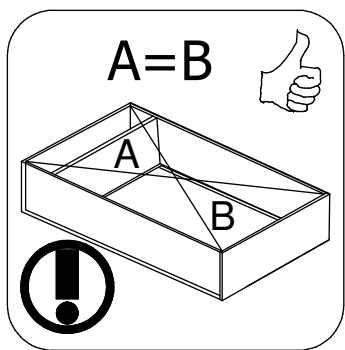
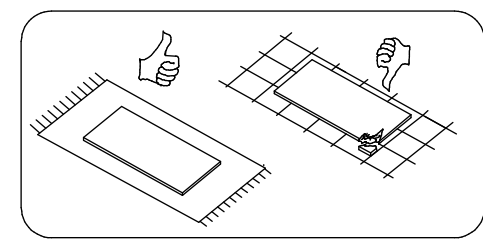
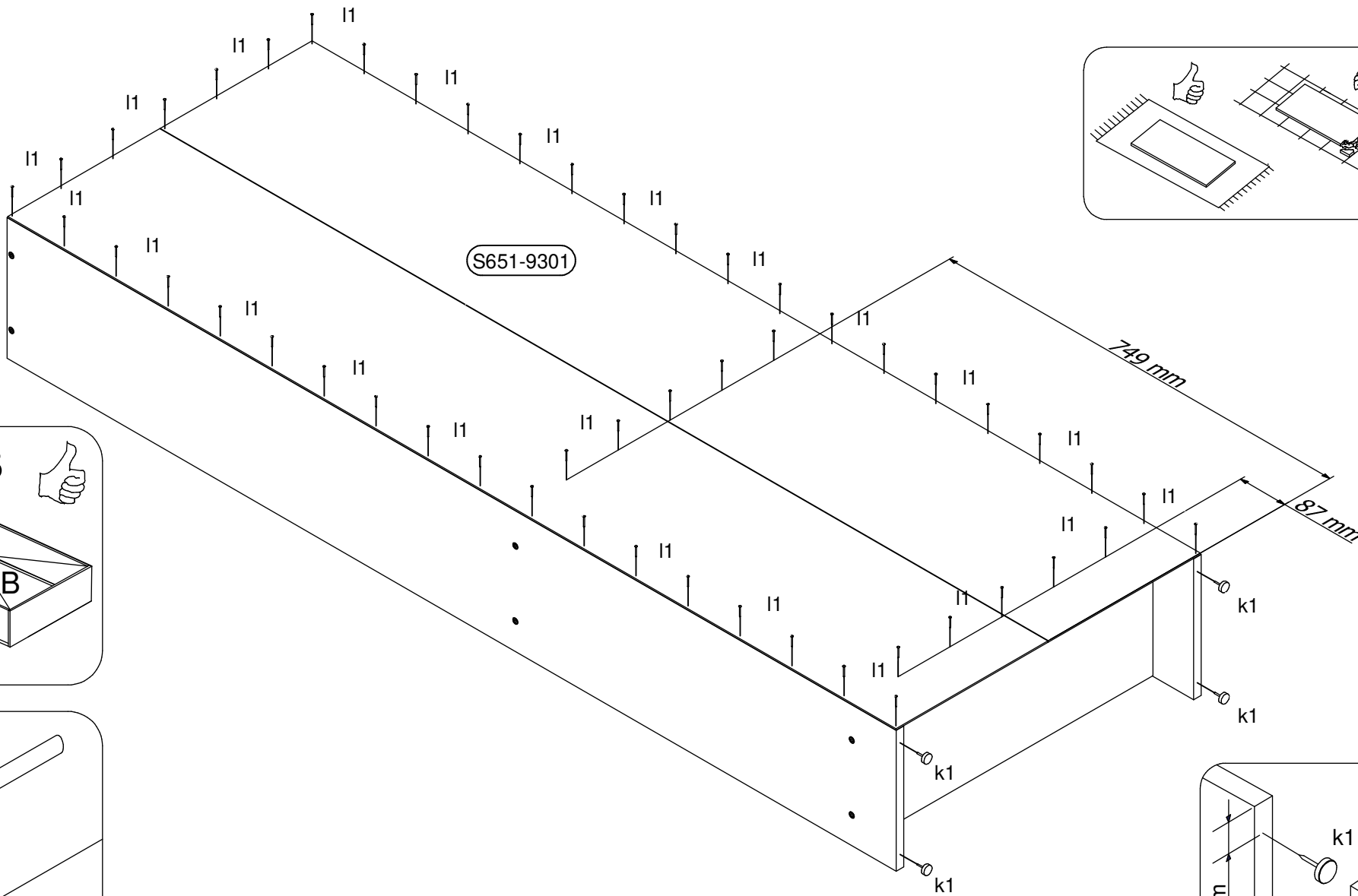




2



3 ^{k1}  4x ^{l1}  50x
 Ø1.4x20 mm



- 4 d1 Ø5x17 mm 12x
- n14/2 1x
- p38 Ø3,5x16 mm 2x
- s59 Ø14x0.5 mm 12x

